

07/2015

Mod: E22/M100I8-N

Production code: 393118

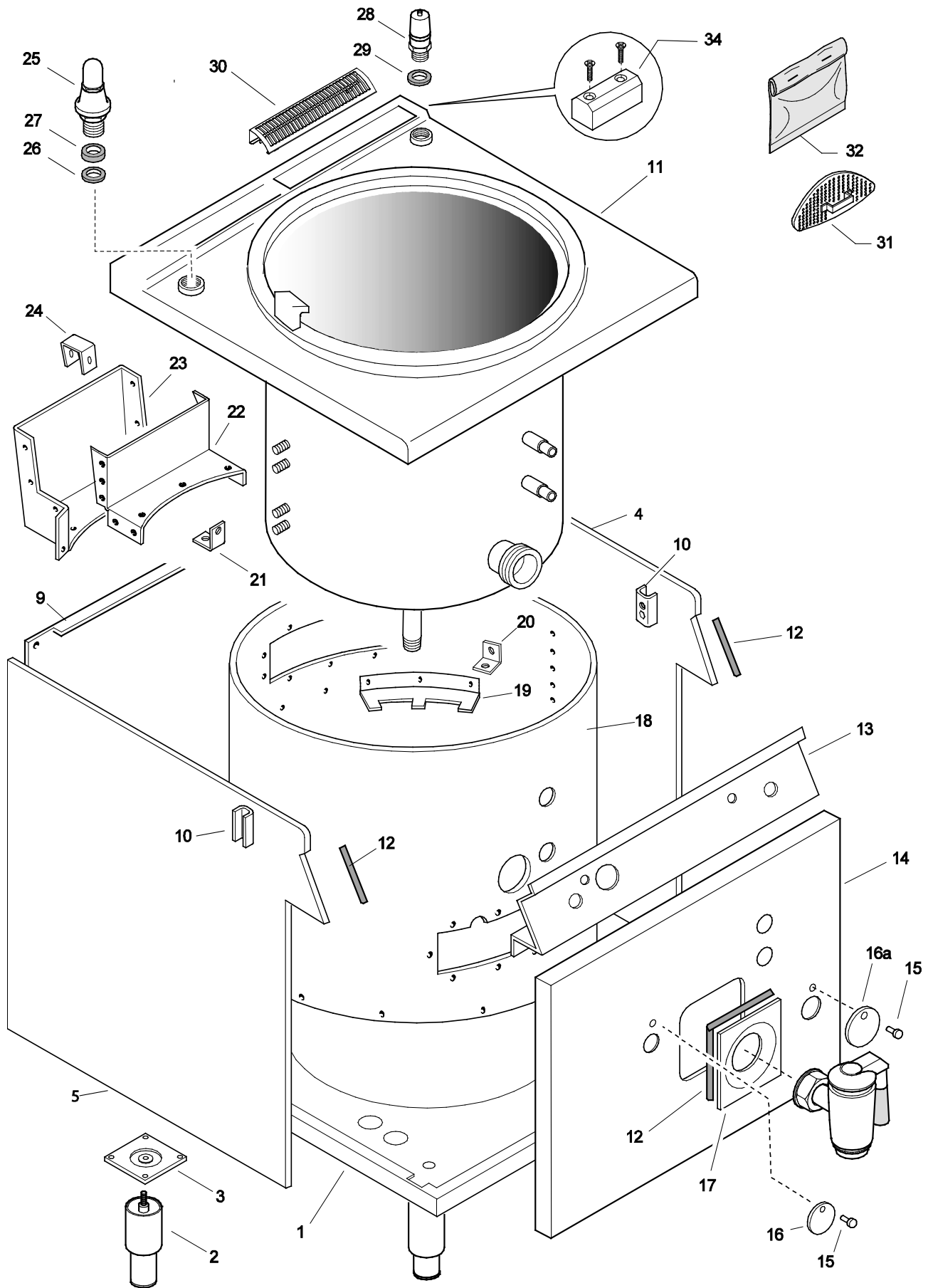


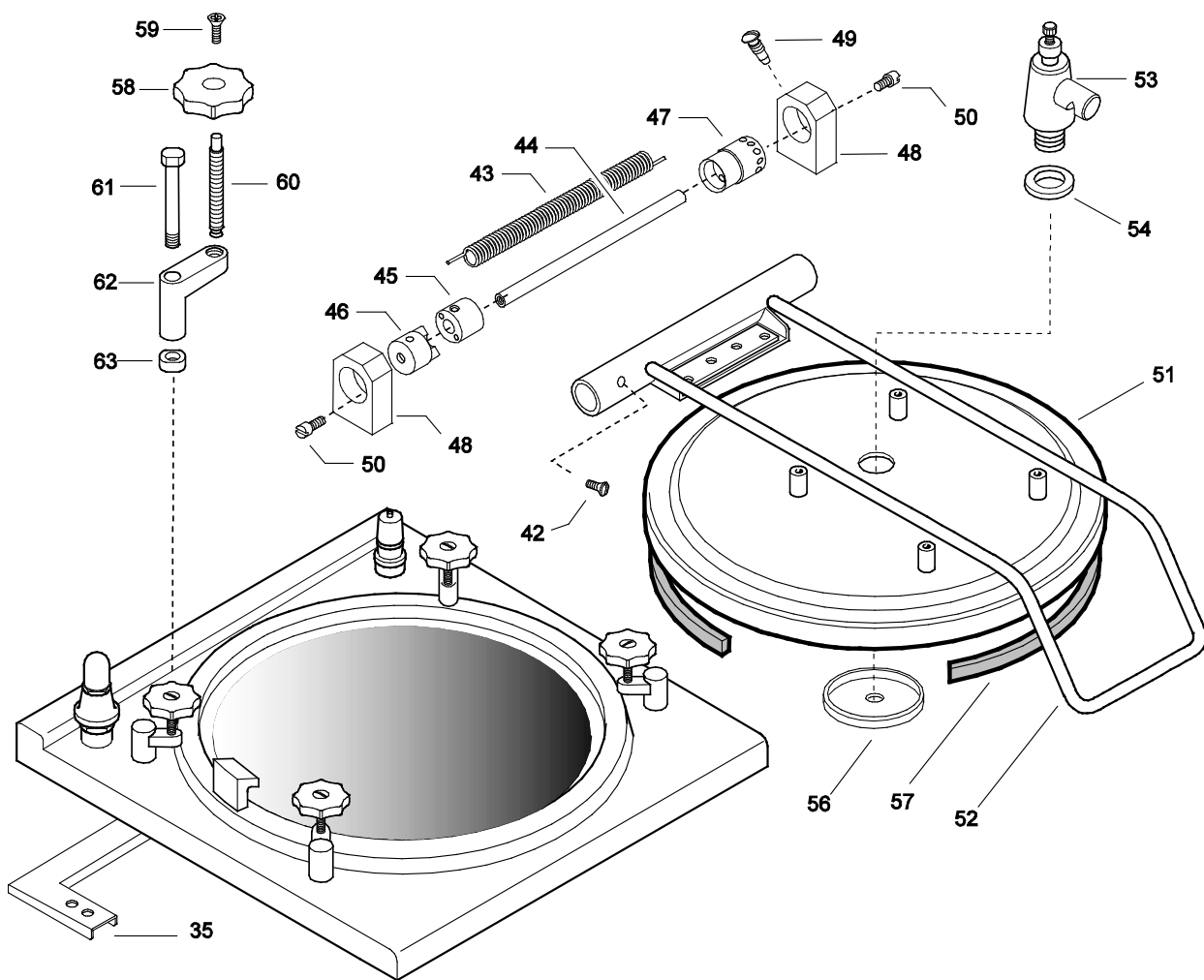
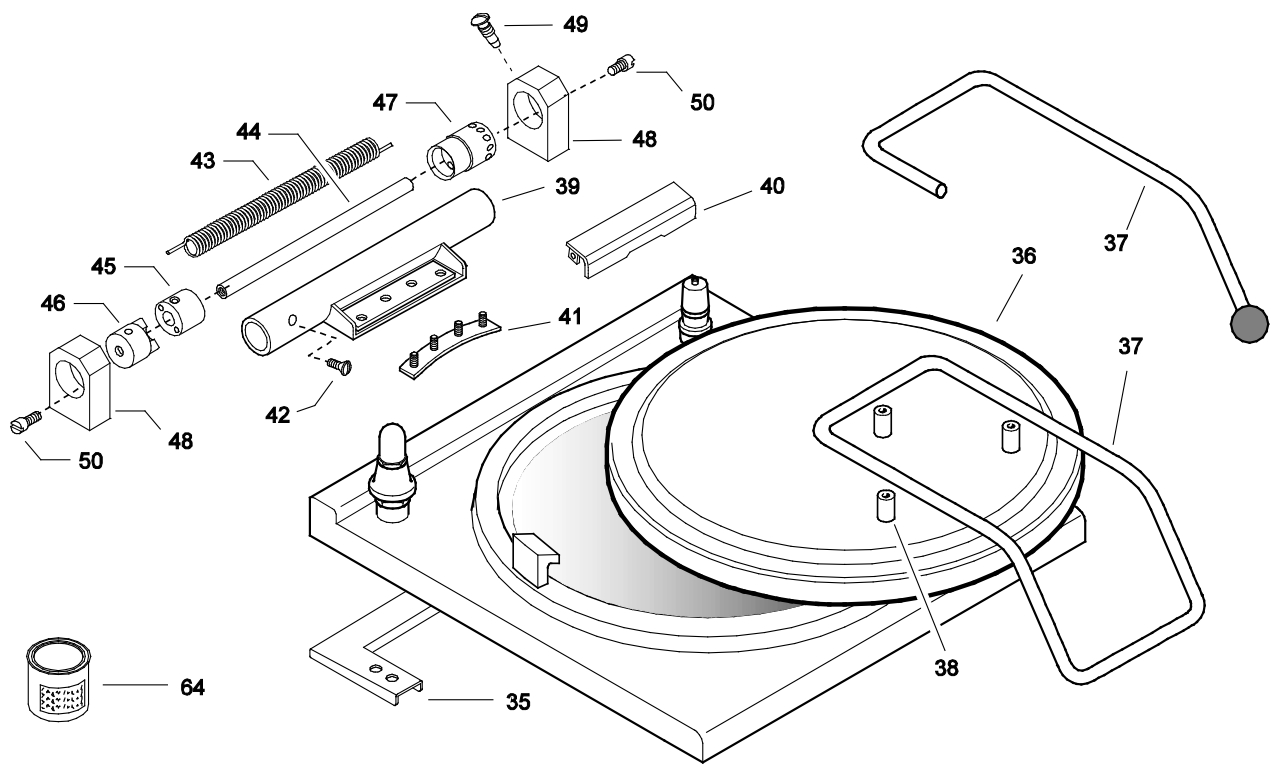
Diamond
catering equipment

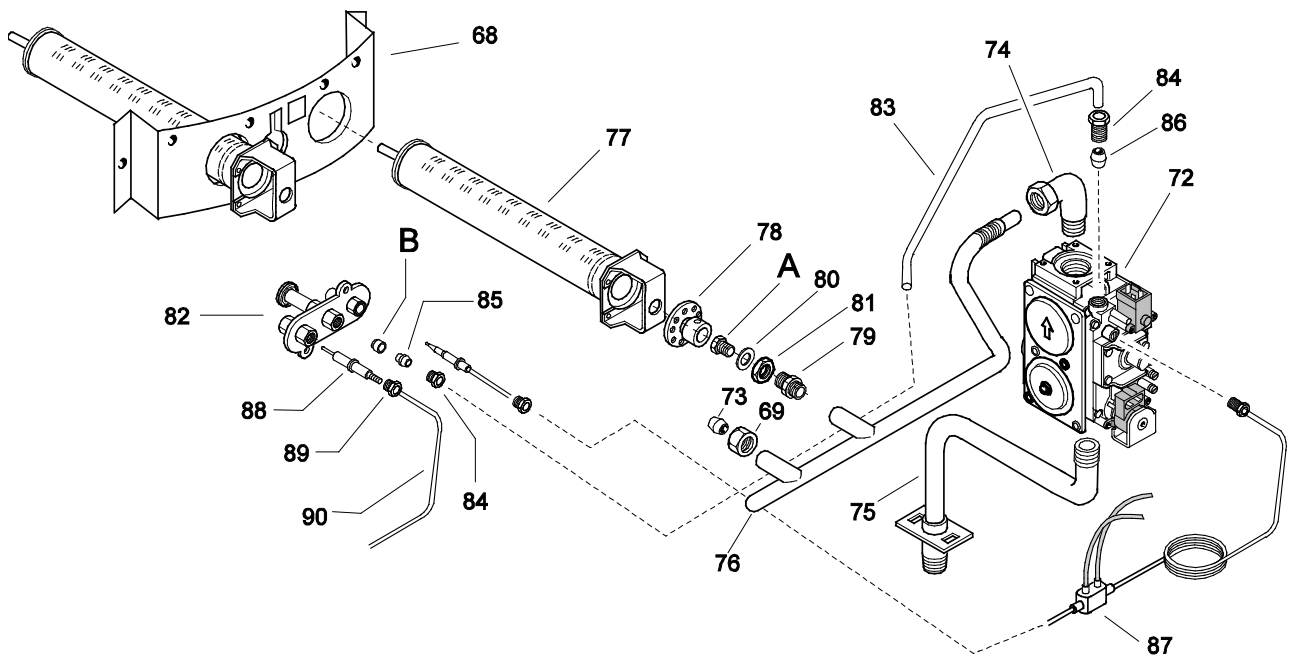
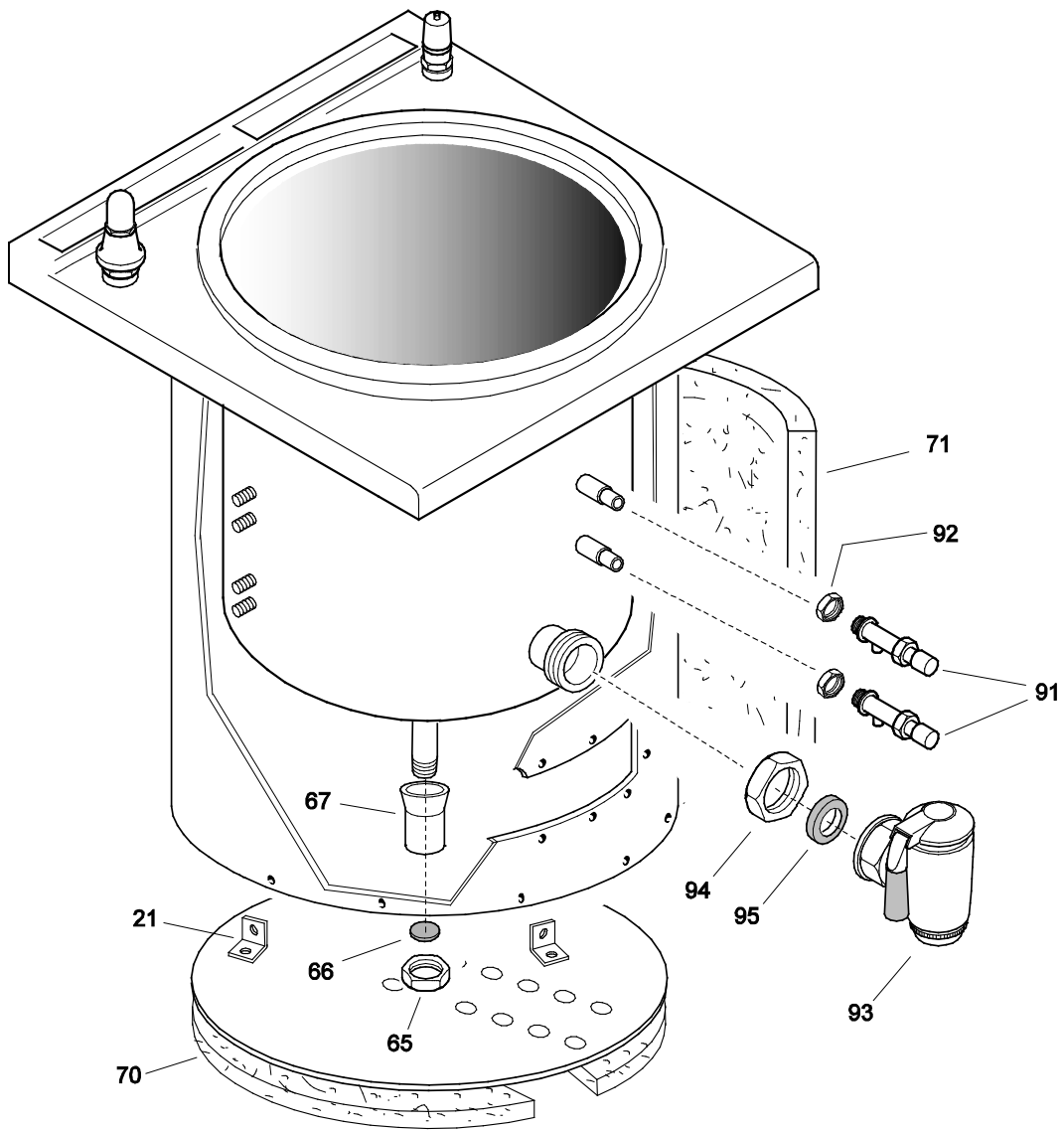
SPARE PARTS CATALOGUE
CATALOGO PARTI DI RICAMBIO
PENTOLE INDIRECTE 100/150Lt E900XP
BOILING PAN INDIRECT HEATING 100/150Lt E900XP

| PNC | Model | Ref | Pag. | Brand | Version | Notes |
|--------|------------|-----|------|-------|---------|---------------------|
| 391100 | E9BSGHIPF0 | a | 2..8 | ELX | GAS | 80/100LT |
| 391101 | E9BSGHIPFR | c | 2..8 | ELX | GAS | 80/100LT AUTOMATIC |
| 391102 | E9BSGHIRF0 | b | 2..8 | ELX | GAS | 100/150LT |
| 391103 | E9BSGHIRFR | d | 2..8 | ELX | GAS | 100/150LT AUTOMATIC |
| 391104 | E9BSGHIRFC | F | 2..8 | ELX | GAS | 100/150LT AUTOCLAVE |
| 391118 | E9BSEHIPF0 | e | 2..8 | ELX | EL | 80/100LT |
| 391119 | E9BSEHIPFR | f | 2..8 | ELX | EL | 80/100LT AUTOMATIC |
| 391120 | E9BSEHIRF0 | g | 2..8 | ELX | EL | 100/150LT |
| 391121 | E9BSEHIRFR | h | 2..8 | ELX | EL | 100/150LT AUTOMATIC |
| 391122 | E9BSEHIRFC | G | 2..8 | ELX | EL | 100/150LT AUTOCLAVE |
| 392100 | Z9BSGHIPF0 | i | 2..8 | ZAN | GAS | 80/100LT |
| 392101 | Z9BSGHIPFR | l | 2..8 | ZAN | GAS | 80/100LT AUTOMATIC |
| 392102 | Z9BSGHIRF0 | m | 2..8 | ZAN | GAS | 100/150LT |
| 392103 | Z9BSGHIRFR | n | 2..8 | ZAN | GAS | 100/150LT AUTOMATIC |
| 392104 | Z9BSGHIRFC | o | 2..8 | ZAN | GAS | 100/150LT AUTOCLAVE |
| 392118 | Z9BSEHIPF0 | p | 2..8 | ZAN | EL | 80/100LT |
| 392119 | Z9BSEHIPFR | q | 2..8 | ZAN | EL | 80/100LT AUTOMATIC |
| 392120 | Z9BSEHIRF0 | r | 2..8 | ZAN | EL | 100/150LT |
| 392121 | Z9BSEHIRFR | s | 2..8 | ZAN | EL | 100/150LT AUTOMATIC |
| 392122 | Z9BSEHIRFC | t | 2..8 | ZAN | EL | 100/150LT AUTOCLAVE |
| 393100 | A9BSGHIPF0 | u | 2..8 | OEM | GAS | 80/100LT |
| 393101 | A9BSGHIPFR | v | 2..8 | OEM | GAS | 80/100LT AUTOMATIC. |
| 393102 | A9BSGHIRF0 | z | 2..8 | OEM | GAS | 100/150LT |
| 393103 | A9BSGHIRFR | A | 2..8 | OEM | GAS | 100/150LT AUTOMATIC |
| 393118 | A9BSEHIPF0 | B | 2..8 | OEM | EL | 80/100LT |
| 393119 | A9BSEHIPFR | C | 2..8 | OEM | EL | 80/100LT AUTOMATIC |
| 393120 | A9BSEHIRF0 | D | 2..8 | OEM | EL | 100/150LT |
| 393121 | A9BSEHIRFR | E | 2..8 | OEM | EL | 100/150LT AUTOMATIC |

| Pag | Index | Indice | Note |
|--------|-----------------------|------------------------|------|
| 2 | General components | Componenti struttura | |
| 3 | Cover components | Componenti coperchio | |
| 4 | Gas components | Componenti Gas | |
| 5 | Pilot / Burner Nozzle | Tabelle ugelli | |
| 6 | Electric components | Componenti elettrici | |
| 7 | Automatic Components | Componenti carico auto | |
| 8 | Electric Components | Componenti Elewttrici | |
| 9...12 | Spare parts list | Lista ricambi | |



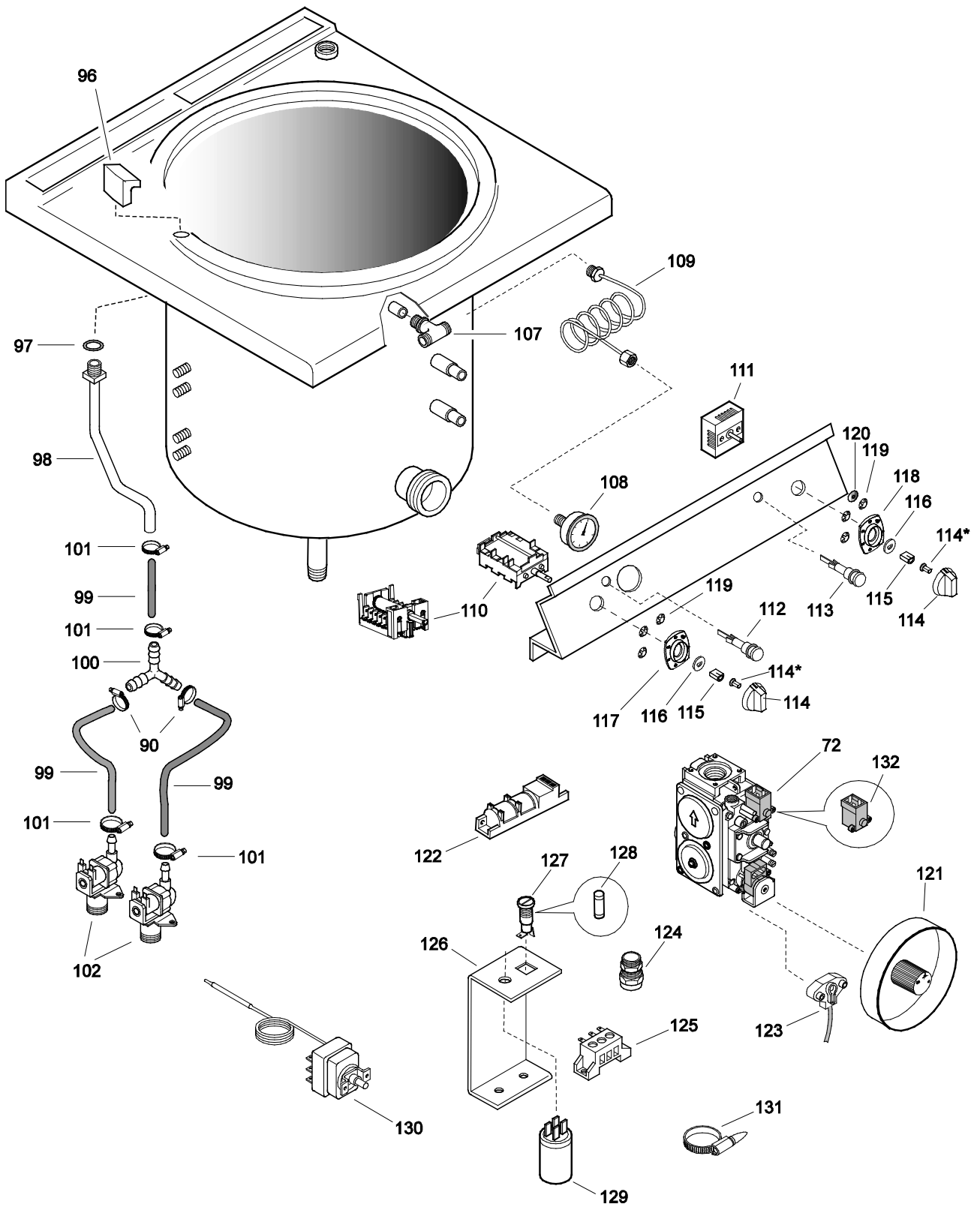


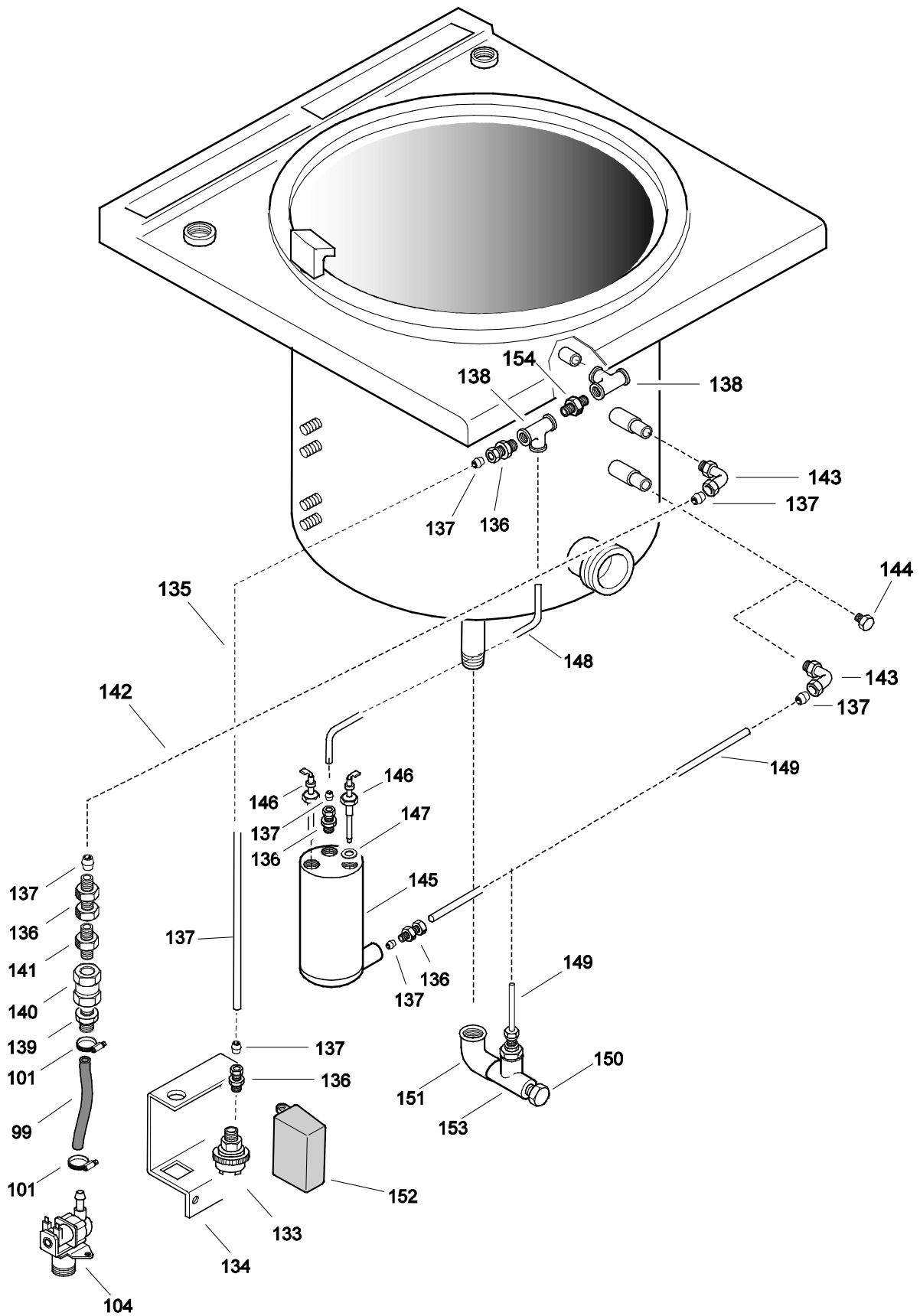


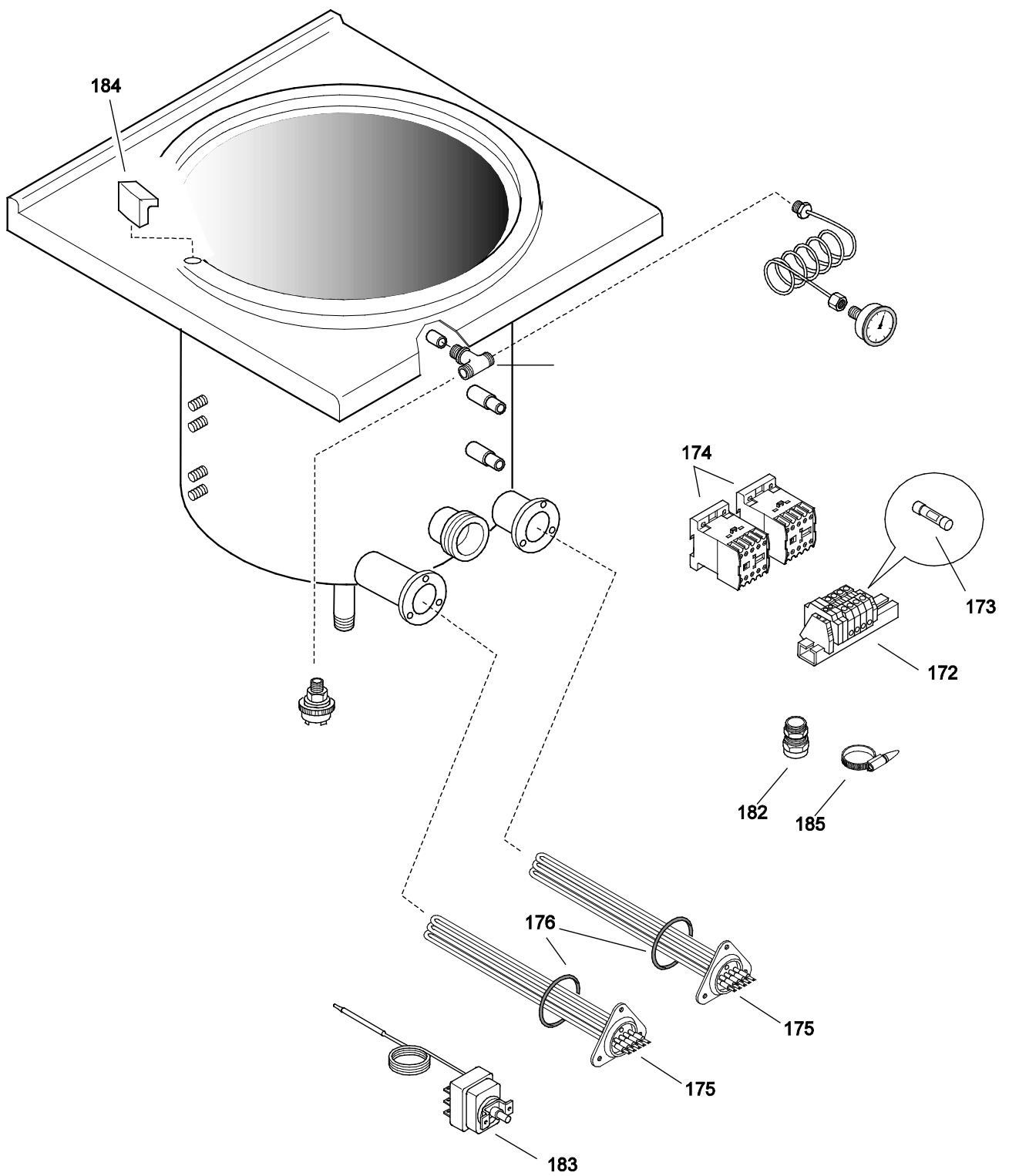
| A - Ugello bruciatore / Burner nozzle 100LT | | | |
|--|---------------------|--------------|--------------------|
| Spare Part Code | Ref. / Notes | | |
| 056470 | ∅ 1.45 | 3B/P | G30 50 mbar |
| 054127 | ∅ 1.65 | 3B/P | G30 36 mbar |
| 004727 | ∅ 2.35 | 2H | G20 25 mbar |
| 002268 | ∅ 2.6 | 2L | G25 25mbar |
| 0C0747 | ∅ 2.7 | 2ELL | G25 20 mbar |
| 002268 | ∅ 2.6 | 2S | G25.1 25 mbar |
| 054034 | ∅ 3 | No CE | G20 10 mbar |
| 056563 | ∅ 5 | No CE | G110 8 mbar |

| A - Ugello bruciatore / Burner nozzle 150LT | | | |
|--|---------------------|-------|---------------|
| Spare Part Code | Ref. / Notes | | |
| 003723 | ∅ 1.75 | 3B/P | G30 36 mbar |
| 003722 | ∅ 1.55 | 3B/P | G30 50 mbar |
| 002268 | ∅ 2.60 | 2H | G20 25 mbar |
| 003371 | ∅ 2.75 | 2L | G25 25mbar |
| 006419 | ∅ 2.9 | 2ELL | G25 20 mbar |
| 003371 | ∅ 2.75 | 2S | G25.1 25 mbar |
| 054084 | ∅ 3.2 | No CE | G20 10 mbar |
| 0C3706 | ∅ 5.3 | No CE | G110 8 mbar |
| 514862900 | ∅ 4.8 | No CE | G120 8 mbar |

| B - Ugello pilota / Pilot nozzle | | | |
|---|---------------------|--------------|--------------------|
| Spare Part Code | Ref. / Notes | | |
| | n°30 | 3B/P | G30 36 mbar |
| | n°30 | 3B/P | G30 50 mbar |
| | n°41 | 2H | G20 25 mbar |
| | n°41 | 2L | G25 25mbar |
| | n°41 | 2ELL | G25 20 mbar |
| | n°41 | 2S | G25.1 25 mbar |
| | n°75 | No CE | G20 10 mbar |
| 053669 | n°75 | No CE | G110 8 mbar |
| | n°75 | No CE | G120 8 mbar |







PENTOLE GAS INDIRECTE 100/150Lt E900XP
GAS BOILING PAN INDIRECT HEATING 100/150Lt E900XP

| Pos | Factory Code | Spare Code | Descrizione | Description | Ref./Note |
|-----|--------------|------------|-------------------------------|----------------------------------|----------------------------|
| 1 | 50489KA00 | * | FONDO PENTOLA IND. GAS 100Lt | BOTTOM PANEL IND. BOIL.PAN 100Lt | 100 lt |
| 1 | 50489KB00 | * | FONDO PENTOLA IND. GAS 150Lt | BOTTOM PANEL IND. BOIL.PAN 150Lt | 150 lt |
| 2 | 835856900 | 0C0204 | PIEDE | FOOT | |
| 3 | 50589CD00 | * | PIASTRA DI RINFORZO PER PIEDI | PLATE FOR FOOT | |
| 4 | 85089JC00 | * | FIANCO DESTRO | LEFT PANEL | ELX |
| 4 | 85089JF00 | * | FIANCO DESTRO | LEFT PANEL | ZAN, OEM |
| 5 | 85089JD00 | * | FIANCO SINISTRO | RIGHT PANEL | ELX |
| 5 | 85089JG00 | * | FIANCO SINISTRO | RIGHT PANEL | ZAN, OEM |
| 6 | | | | | |
| 7 | | | | | |
| 8 | | | | | |
| 9 | 538844801 | * | SCHIENALE 800mm | REAR PANEL 800mm | |
| 10 | 527850500 | 0C0156 | PIASTRA FISSAGGIO FIANCHI | SIDE PANEL JOINTING PLATE | |
| 11 | 87089B700 | 0C7544 | RIPIANO PENTOLA INDIR. 100Lt. | SHELF, IND. BOLING PAN 100Lt | ELX |
| 11 | 87089B300 | 0C7540 | RIPIANO PENTOLA INDIR. 150Lt. | SHELF, IND. BOLING PAN 150Lt | ELX |
| 11 | 87089B801 | 0C7545 | RIPIANO PENTOLA INDIR. 150Lt. | SHELF, IND. BOLING PAN 150Lt | ELX - Automate |
| 11 | 87089NX00 | | RIPIANO PENTOLA IND. 150Lt. | SHELF, IND. BOLING PAN 150Lt | ELX- Autoclave, F |
| 11 | 87089FL00 | 0C7547 | RIPIANO PENTOLA INDIR. 100Lt. | SHELF, IND. BOLING PAN 100Lt | ZAN, OEM - GAS |
| 11 | 87089FM00 | 0C7548 | RIPIANO PENTOLA INDIR. 150Lt. | SHELF, IND. BOLING PAN 150Lt | ZAN, OEM - GAS |
| 11 | 87089FN00 | 0C7549 | RIPIANO PENTOLA IND. 150Lt. | SHELF, IND. BOLING PAN 150Lt | ZAN, OEM - GAS - Autoclave |
| 11 | 87089FT00 | 0C7554 | RIPIANO PENTOLA INDIR. 100Lt. | SHELF, IND. BOLING PAN 100Lt | ZAN, OEM - EL |
| 11 | 87089FV00 | 0C7556 | RIPIANO PENTOLA INDIR. 150Lt. | SHELF, IND. BOLING PAN 150Lt | ZAN, OEM - EL |
| 11 | 87089FW00 | 0C7557 | RIPIANO PENTOLA IND. 150Lt. | SHELF, IND. BOLING PAN 150Lt | ZAN, OEM - EL - Autoclave |
| 12 | 543821900 | 0C2496 | GUARNIZIONE PER CRUSCOTTO | GASKET, CONTROL PANEL | |
| 13 | 85089BQ00 | 0C7535 | CRUSCOTTO | CONTROL PANEL | ELX |
| 13 | 87089GW00 | 0C7559 | CRUSCOTTO | CONTROL PANEL | ZAN |
| 13 | 50389PS00 | * | CRUSCOTTO | CONTROL PANEL | OEM |
| 14 | 50389XV00 | 0C8057 | PANNELLO FRONTALE 100 L | FRONT PANEL BOIL.PAN 100Lt | ELX - 100 lt - GAS |
| 14 | 50389XX00 | 0C8055 | PANNELLO FRONTALE 100 L | FRONT PANEL BOIL.PAN 100Lt | ELX - 100 lt - EL |
| 14 | 50389Y100 | 0C7805 | PANNELLO FRONTALE 100 L | FRONT PANEL BOIL.PAN 100Lt | ZAN, OEM - 100lt - GAS |
| 14 | 50389Y300 | 0C7807 | PANNELLO FRONTALE 100 L | FRONT PANEL BOIL.PAN 100Lt | ZAN, OEM - 100 lt - EL |
| 14 | 50389XW00 | 0C8056 | PANNELLO FRONTALE 150 L | FRONT PANEL BOIL.PAN 150Lt | ELX - 150 lt - GAS |
| 14 | 50389XY00 | 0C8054 | PANNELLO FRONTALE 150 L | FRONT PANEL BOIL.PAN 150Lt | ELX - 150 lt - EL |
| 14 | 50389Y200 | 0C7804 | PANNELLO FRONTALE 150 L | FRONT PANEL BOIL.PAN 150Lt | ZAN, OEM - 150lt - GAS |
| 14 | 50389Y400 | 0C7808 | PANNELLO FRONTALE 150 L | FRONT PANEL BOIL.PAN 150Lt | ZAN, OEM - 150 lt - EL |
| 15 | 214473001 | 026187 | PERNO FISSAGGIO SPORTELLINO | PIN, FIXING DOOR | |
| 16 | 508837201 | 002534 | SPORTELLINO, FORO D'ISPEZIONE | DOOR, INSPECTION HOLE | |
| 16a | 527843000 | * | SPORTELLINO, VALVOLA GAS | DOOR, GAS VALVE | |
| 17 | 529845500 | 0C0709 | PANNELLINO RUBINETTONE | PANEL FOR DRAIN TAPE | Not Autoclave |
| 18 | 524882302 | 0C0740 | TAMBURO FUMI 100Lt. | CYLINDER, COMBUSTION 100Lt | 100 lt |
| 18 | 524882102 | 0C0741 | TAMBURO FUMI 150Lt. | CYLINDER, COMBUSTION 150Lt | 150 lt |
| 19 | 528820303 | * | ANELLO CHIUSURA FUMI | RING | |
| 20 | 527839601 | * | SQUADRETTA X ANELLO FUMI | BRACKET, RING | |
| 21 | 508818601 | 0C0814 | SQUADRETTA SUPPORTO CAMINO | BRACKET, CHIMNEY FIXING | |
| 22 | 524884703 | * | ELEMENTO ANT. CAMINO 100Lt | FRONT WALL CHIMNEY 100Lt | 100 lt |
| 22 | 524882802 | * | ELEMENTO ANT. CAMINO 150Lt | FRONT WALL CHIMNEY 150Lt | 150 lt |
| 23 | 524884802 | * | ELEMENTO POST. CAMINO 100Lt | BACK WALL CHIMNEY 100Lt | 100 lt |
| 23 | 524882901 | * | ELEMENTO POST. CAMINO 150Lt | BACK WALL CHIMNEY 150Lt | 150 lt |
| 24 | 527841202 | * | DISTANZIALE PER CAMINO | SPACER FOR CHIMNEY | |
| 25 | 835817102 | 056691 | VALVOLA DI SICUREZZA | SAFETY VALVE | |
| 26 | 282218301 | 051553 | GUARNIZIONE | GASKET, SAFETY VALVE | |
| 27 | 514895803 | 0C0710 | RACCORDO | CONNECTION, SAFETY VALVE | Not for pos. F G o t |

Da Ser. Nr. / From Ser. Numb. : 1 16 Ed. 2011 - 05

PAG 9

Doc. 59785Q500

PENTOLE GAS INDIRECTE 100/150Lt E900XP
GAS BOILING PAN INDIRECT HEATING 100/150Lt E900XP

| Pos | Factory Code | Spare Code | Descrizione | Description | Ref./Note |
|------------|---------------------|-------------------|----------------------------------|---------------------------------|--------------------------------|
| 28 | 335239101 | 051566 | VALVOLA DEPRESSIONE | DEPRESSION VALVE | |
| 29 | 246005123 | 060597 | GUARNIZIONE | GASKET, DEPRESSION VALVE | |
| 30 | 50389LP00 | 0C7333 | GRIGLIA PER CAMINO | GRID FOR CHIMNEY | ELX |
| 30 | 538841900 | 0C5624 | GRIGLIA PER CAMINO | GRID FOR CHIMNEY | ZAN, OEM |
| 31 | 310122725 | 027114 | GRIGLIA DI SCARICO | DRAIN GRID | |
| 32 | 858800100 | 0C1876 | KIT ANTI-CORROSIONE | ANTICORROSIVE KIT | |
| 33 | | | | | |
| 34 | 516860700 | 0C0137 | PIASTRINA PER GIUNZIONE | JOINTING REAR PLATE | |
| 35 | 800833300 | * | RINFORZO PER CERNIERA | REINFORCEMENT, HINGE | NOT AUTOCLAVE up to 5081... |
| 35 | 50489SK00 | 0C0713 | RINFORZO PER CERNIERA | REINFORCEMENT, HINGE | NOT AUTOCLAVE from 5091... |
| 36 | 873838100 | 0C0714 | COPERCHIO PENTOLA | LID, BOILING PAN | NOT AUTOCLAVE |
| 37 | 853891400 | 0C2072 | MANIGLIA PENTOLA | HANDLE, LID | ELX |
| 37 | 517876502 | 0C0691 | MANIGLIA PENTOLA | HANDLE, LID | NOT AUTOCLAVE |
| 38 | 517856900 | 004468 | DISTANZIALE PER MANIGLIA | SPACER FOR HANDLE | |
| 38° | 217223605 | 0C0950 | VITE PER DISTANZIALE | SCREW, SPACER | |
| 39 | 800814505 | 006181 | SUPPORTO COPERCHIO | SUPPORT, LID | NOT AUTOCLAVE |
| 40 | 800823302 | 006926 | COPERTURA SUPPORTO | COVERING, SUPPORT | NOT AUTOCLAVE |
| 41 | 805878802 | 006925 | RINFORZO COPERCHIO | REINFORCEMENT, LID | NOT AUTOCLAVE |
| 42 | 217224125 | 0C2776 | VITE FERMO MOLLA / CERNIERA | SCREW, SPRING LOCK | NOT AUTOCLAVE |
| 43 | 514894501 | 059518 | MOLLA | SPRING | NOT AUTOCLAVE |
| 43 | 516804700 | 002981 | MOLLA | SPRING | AUTOCLAVE |
| 44 | 514894802 | 059862 | ASSE PER CERNIERA | PIN, HINGE | NOT AUTOCLAVE |
| 45 | 516804500 | 002982 | FERMO PER MOLLA | LOCK, SPRING | |
| 46 | 514894303 | 059864 | BLOCCO CERNIERA | LOCK, HINGE | |
| 47 | 516804600 | 002983 | BLOCCO REGOLAZIONE MOLLA | LOCKNUT, ADJUSTING SPRING | |
| 48 | 514894602 | 002944 | SUPPORTO CERNIERA | SUPPORT, HINGE | |
| 49 | 514895002 | 059859 | VITE PER SUPPORTO CERNIERA | SCREW, SUPPORT HINGE | |
| 50 | 514894701 | 059860 | VITE PER ASSE CERNIERA | SCREW, PIN HINGE | |
| 51 | 874849404 | 059866 | COPERCHIO AUTOCLAVE | LID, AUTOCLAVE BOILING PAN | AUTOCLAVE |
| 52 | 831807501 | 0C0742 | MANIGLIA COPERCHIO AUTOCLAVE | HANDLE, LID AUTOCLAVE | AUTOCLAVE |
| 53 | 835801801 | 052623 | VALVOLA SCARICO FUMANA | SAFETY VAVLE | AUTOCLAVE |
| 54 | 246173500 | 027300 | GUARNIZIONE PER VALVOLA | GASKET | |
| 55 | | | | | |
| 56 | 204751901 | 025220 | CALOTTA PER VALVOLA | CAP, VALVE DRAIN | AUTOCLAVE |
| 57 | 569805200 | * | GUARNIZIONE COPERCHIO | GASKET, LID | AUTOCLAVE |
| 58 | 315280901 | 010142 | VOLANTINO | HANDWHEEL | AUTOCLAVE |
| 59 | 214063000 | 010147 | VITE VOLANTINO | SCREW, HANDWHEEL | AUTOCLAVE |
| 60 | 514802301 | 052616 | PERNO | PIN | AUTOCLAVE |
| 61 | 514802001 | 052614 | VITE FISSAGGIO COPERCHIO | SCREW, FIXING TO LID | AUTOCLAVE |
| 62 | 511800201 | 052612 | BRACCIO ROTANTE | ROTATING ARM | AUTOCLAVE |
| 63 | 514802201 | 052615 | GHIERA | RING NUT | AUTOCLAVE |
| 64 | 167098086 | 003363 | GRASSO PER PERNO COPERCHIO | GREASE FOR LID | |
| 65 | 514872501 | 0C0705 | DADO CIECO 3/4" SCARICO INTERC. | CAP NUT 3/4" DRAIN INTERSPACE | |
| 66 | 543817900 | 002869 | GUARNIZIONE SCARICO INTERCAP. | GASKET, DRAIN INTERSPACE | |
| 67 | 806823000 | * | TUBO ISOLAMENTO SCARICO INTER. | INSULATION PIPE, DRAIN INTERSP. | |
| 68 | 529845202 | * | SUPPORTO BRUC.-PILOTA | SUPPORT BURNER - PILOT | |
| 69 | 214108111 | 041155 | DADO, RIBALTA | NUT | |
| 70 | 560841401 | * | ISOLAMENTO FONDO | BOTTOM INSULATION | |
| 71 | 560841102 | * | ISOLAMENTO PENTOLA 100Lt | INSULATION BOILING PAN 100Lt | 100 lt |
| 71 | 560841002 | 0C5123 | ISOLAMENTO PENTOLA 150Lt | INSULATION BOILING PAN 150Lt | 150 lt |
| 72 | 835819901 | 002903 | VALVOLA GAS | GAS VALVE | |
| 73 | 215073101 | 060325 | BICONO | DOUBLE CONE | |
| 74 | 517866200 | 006622 | RACCORDO A "L" 18 - 1/2, RIBALTA | NIPPLE, 1/2" DIAM. 18, PIPE | |
| 75 | 805899H03 | 0C6379 | TUBO ENTRATA GAS | INLET PIPE, GAS | |
| 76 | 805899L01 | 0C6378 | RIBALTA 100Lt | PIPE , GAS VALVE - BURNER 100Lt | 100 lt |
| 76 | 805899J02 | 0C6366 | RIBALTA 150Lt | PIPE , GAS VALVE - BURNER 150Lt | 150 lt |
| 77 | 830894702 | 0C0743 | BRUCIATORE | BURNER | |

PENTOLE GAS INDIRECTE 100/150Lt E900XP
GAS BOILING PAN INDIRECT HEATING 100/150Lt E900XP

| <i>Pos</i> | <i>Factory Code</i> | <i>Spare Code</i> | <i>Descrizione</i> | <i>Description</i> | <i>Ref./Note</i> |
|------------|---------------------|-------------------|--------------------------------|-----------------------------|----------------------|
| 78 | 830828001 | 054039 | AREATORE REGOLAZIONE ARIA | AERATOR | |
| 79 | 514829700 | 054118 | PORTAUGELLO | NOZZLE HOLDER | |
| 80 | 506833401 | 054029 | GUARNIZIONE UGELLO | GASKET, NOZZLE | |
| 81 | 214105101 | 020997 | CONTRODADO PORTAUGELLO | LOCK NUT, NOZZLE HOLDER | |
| 82 | 830897501 | 0C0744 | PILOTA | PILOT | |
| 83 | 517875202 | 0C0745 | CONDUTTURA PILOTA 100Lt | PILOT PIPE 100Lt | 100 lt |
| 83 | 517875102 | 0C0746 | CONDUTTURA PILOTA 150Lt | PILOT PIPE 150Lt | 150 lt |
| 84 | 214164400 | 052125 | RACCORDO M10X1 DIAM 4 | NIPPLE, M10X1 DIAM 4 | |
| 85 | 215199700 | 052127 | BICONO SPEC.DA 4 | BICONICAL RING, DIAM.4 | |
| 86 | 515827401 | 053665 | BICONO DIAM.4 | BICONICAL RING, DIAM.4 | |
| 87 | 831818901 | 0C3162 | TERMOCOPPIA INTERROTTA | THERMOCOUPLE INT. | |
| 88 | 330272401 | 052610 | ELETTRODO DI ACCENSIONE | ELECTRODE, IGNITION | |
| 89 | 214164101 | 057960 | RACCORDO FISS. CANDELA | NIPPLE, ELECTRODE | |
| 90 | | | | | |
| 91 | 835866201 | 0C1450 | RUBINETTO DI LIVELLO | TAP, LEVEL JACKET | |
| 92 | 516875001 | 0C1451 | BORCHIETTA PER RUBINETTO | FIXING RING, TAP | |
| 93 | 856841701 | 0S0950 | BOCCHETTONE SCARICO | DRAIN TAP | |
| 94 | 516861001 | 0C0716 | CONTRODADO PER RUBINETTONE | LOCK NUT, DRAIN TAPE | |
| 95 | 246003513 | 020279 | GUARNIZIONE | GASKET, DRAIN TAPE | |
| 96 | 211794613 | 051521 | EROGATORE ACQUA | WATER DISTRIBUTOR | |
| 97 | 543800600 | 052779 | GUARNIZIONE OR | OR GASKET, WATER DISTRIB. | |
| 98 | 830896400 | 0C6107 | CONDUTTURA CARICO ACQUA | PIPE, DISTRIBUTOR | |
| 99 | 140068008 | 002707 | TUBO GOMMA CORAZZATO | FEEDING PIPE | |
| 100 | 544615700 | 047431 | RACCORDO A Y | CONNECTION Y | |
| 101 | 835823600 | * | FASCETTA | HOSE CLAMP | |
| 102 | 696805700 | 0C3254 | ELETTROVALVOLA | MAGNETIC VALVE | |
| 103 | 646815500 | 0C4083 | PRESSOSTATO | PRESSURE SWITCH | |
| 104 | 696805000 | 0C0938 | ELETTROVALVOLA | MAGNETIC VALVE | |
| 105 | | | | | |
| 106 | | | | | |
| 107 | 511820700 | 0C1449 | RACCORDO T | CONNECTION T | |
| 108 | 830895600 | 0C0712 | MANOMETRO | MANOMETER | |
| 109 | 830866802 | 059521 | CAPILLARE PER MANOMETRO | CAPILLARY, MANOMETER | |
| 110 | 641802400 | 059544 | COMMUTATORE 4 POSIZIONI | SWITCH 4 POSITION | Up to 5231... |
| 110 | 641805401 | 0C9180 | COMMUTATORE 4 POSIZIONI | SWITCH 4 POSITION | From 5241... |
| 111 | 699802200 | 055016 | REGOLATORE DI ENERGIA | ENERGY REGULATOR | |
| 112 | 876800201 | 0C0687 | LAMPADA ROSSA | RED LAMP | |
| 113 | 876800002 | 005010 | LAMPADA VERDE | GREEN LAMP | |
| 114 | 511850G01 | 0C6670 | MANOPOLA | KNOB | ELX |
| * | 548877V00 | 0C7345 | ADATTATORE MANOPOLA | KNOB ADAPTER | ELX |
| 114 | 548864302 | 0C3218 | MANOPOLA PER VALVOLA GAS | KNOB FOR GAS VALVE | ELX |
| 114 | 548856800 | 0C0257 | MANOPOLA | KNOB | ZAN |
| 114 | 548864302 | 0C3218 | MANOPOLA PER VALVOLA GAS | KNOB FOR GAS VALVE | ZAN |
| 114 | 548865500 | 0A5621 | MANOPOLA | KNOB | OEM |
| 114 | 548864302 | 0C3218 | MANOPOLA PER VALVOLA GAS | KNOB FOR GAS VALVE | OEM |
| 115 | 214590701 | 025245 | MOLLETTA PER MANOPOLA | SPRING, KNOB | |
| 116 | 543821000 | 053816 | GUARNIZIONE PER MANOPOLA | GASKET, KNOB | |
| 117 | 548877B00 | 0C7526 | GHIERA CARICO ACQUA | KNOB RING, WATER REFILL | ELX |
| 117 | 548863601 | 0C0711 | GHIERA CARICO ACQUA | KNOB RING, WATER REFILL | ZAN, OEM |
| 118 | 548877T00 | 0C7344 | GHIERA REGOLATORE DI ENERGIA | KNOB RING, ENERGY REGULATOR | ELX |
| 118 | 548859001 | 0C0318 | GHIERA REGOLATORE DI ENERGIA | KNOB RING, ENERGY REGULATOR | ZAN, OEM |
| 119 | 218912211 | 069567 | MOLLETTA PER GHIERA | SPRING, KNOB RING | |
| 120 | 543821000 | 053816 | GUARNIZIONE MANOPOLA | GUARNIZIONE MANOPOLA | |
| 121 | 548864302 | 0C3218 | PROLUNGA MANOPOLA VALVOLA | KNOB EXTENSION, GAS VALVE | GAS |
| 122 | 624804700 | 004240 | ACCENDITORE | LIGHTER | GAS |
| 123 | 830831400 | 054539 | CONSENSO ACC. VALVOLA | MICRO VALVE | GAS |
| 124 | 544802200 | * | PRESSACAVO | TOGHTENER CORD | GAS |
| 125 | 639804900 | 046357 | MORSETTIERA | MAIN TERMINAL | GAS |

PENTOLE GAS INDIRETTE 100/150Lt E900XP
GAS BOILING PAN INDIRECT HEATING 100/150Lt E900XP

| <i>Pos</i> | <i>Factory Code</i> | <i>Spare Code</i> | <i>Descrizione</i> | <i>Description</i> | <i>Ref./Note</i> |
|------------|---------------------|-------------------|------------------------------------|-----------------------------------|------------------|
| 126 | 527842300 | * | SUPPORTO MORSETTIERA | SUPPORT MAIN TERMINAL | GAS |
| 127 | 652800401 | 056582 | PORTAFUSIBILE | HOLDER, FUSE | GAS |
| 128 | 452140500 | 057783 | FUSIBILE 4A 250V | FUSE, 4A 250V | GAS |
| 129 | 694601000 | 046217 | FILTRO ANTIDISTURBO | FILTER | GAS |
| 130 | 646813200 | 0C0999 | TERMOSTATO DI SICUREZZA | SAFETY THERMOSTAT | GAS |
| 131 | 639810200 | 0C0717 | FASCETTA PER FISS. CAVO ALIM. | HOSE CLAMP, FIXING CABLE | GAS |
| 132 | - | 0K3020 | BOBINA VALV. SIT 220/240V 50HZ | COIL GAS VALVE SIT 220/240V 50HZ | GAS |
| 133 | 646815500 | 0C4083 | PRESSOSTATO | PRESSURE SWITCH | |
| 134 | 527860900 | * | SUPPORTO PRESSOSTATO / GICAR | SUPPORT, PRESSURE SWITCH/GICAR | |
| 135 | 517887301 | * | CONDUTTURA PRESSOSTATO | PIPE, PRESSURE SWITCH | |
| 136 | 515863500 | 0C0888 | RACCORDO | NIPPLE | |
| 137 | * | * | BICONO DI TENUTA DIAM.6 | BICONICAL RING DIAM.6 | |
| 138 | 511820700 | 0C1449 | RACCORDO T | "T" UNION PIPE | |
| 139 | 517881200 | 0C4455 | RACCORDO A RESCA | NIPPLE | |
| 140 | 835825500 | 058258 | VALVOLA DI RITEGNO | NON RETURN VALVE | |
| 141 | 511819600 | * | RIDUZIONE | REDUCTION UNION PIPE | |
| 142 | 517887001 | 0C0936 | CONDUTTURA ELETTR.-LIVELLO MAX | PIPE, MAGN.VALVE - MAX LEVEL | |
| 143 | 511819700 | 0C5396 | RACCORDO A L | "L" UNION PIPE | |
| 144 | 511819900 | * | TAPPO | TAP, MIN LEVEL | 80/100LT AUTOM. |
| 145 | 831812100 | 0C0940 | BOTTIGLIA CONTROLLO DI LIVELLO | BOTTLE, CONTROL LEVEL | |
| 146 | 831812900 | 0C1564 | SONDA H60 | PROBE H60 | 80/100LT AUTOM. |
| 146 | 831812000 | 0C0939 | SONDA H175 | PROBE H175 | 100/150LT AUTOM. |
| 147 | 516873100 | 0C5234 | DISTANZIALE | SPACER | |
| 148 | 517887202 | 0C0935 | CONDUTTURA SFIATO BOTTIGLIA | PIPE, BOTTLE | |
| 149 | 517887701 | 0C1565 | CONDUTTURA LIVELLO INF. 100Lt | PIPE, DRAIN JACKET - BOTTLE 100Lt | 80/100LT AUTOM. |
| 149 | 517887102 | 0C0941 | CONDUTTURA LIVELLO MIN-BOTT. 150Lt | PIPE, MIN LEVEL - BOTTLE 150Lt | 100/150LT AUTOM. |
| 150 | 230803004 | * | TAPPO 1/2" | TAP 1/2" | 80/100LT AUTOM. |
| 151 | 230134304 | * | GOMITO | UNION ELBOW | 80/100LT AUTOM. |
| 152 | 646813400 | 0C0937 | REGOLATORE DI LIVELLO GICAR | GICAR, LEVER REGULATOR | |
| 153 | 511818100 | 0C1040 | "T" | "T" UNION PIPE | 80/100LT AUTOM |
| 154 | 511820000 | * | NIPPLO | NIPPLE | |
| 172 | 639805301 | 058608 | MORSETTIERA PORTAFUSIBILE | MAIN TERMINAL | EL |
| 173 | 452140500 | 057783 | FUSIBILE AUSILIARIO 4 A-250 V. | FUSE 4A - 250V | EL |
| 174 | 648807700 | 007080 | CONTATTORE | CONTACTOR | EL |
| 175 | 617839800 | 0C6470 | RESISTENZA 10.75KW 230V | HEATING ELEMENT 10.75kW 230V | EL |
| 176 | 543800700 | 046213 | GUARNIZIONE PER RESISTENZA | GASKET, HEATING ELEMENT | EL |
| 182 | 544802400 | 0C3528 | PRESSACAVO | TOGHTENER CORD | EL |
| 183 | 646809100 | 004862 | TERMOSTATO DI SICUREZZA | SAFETY THERMOSTAT | EL |
| 184 | 211794613 | 051521 | EROGATORE ACQUA | WATER DISTRIBUTOR | EL |
| 185 | 639810200 | 0C0717 | FASCETTA FISSAGGIO CAVO ALIM. | HOSE CLAMP, FIXING CABLE | EL |

Da Ser. Nr. / From Ser. Numb. : 1 16 Ed. 2011 - 05

Doc. **59785Q500**