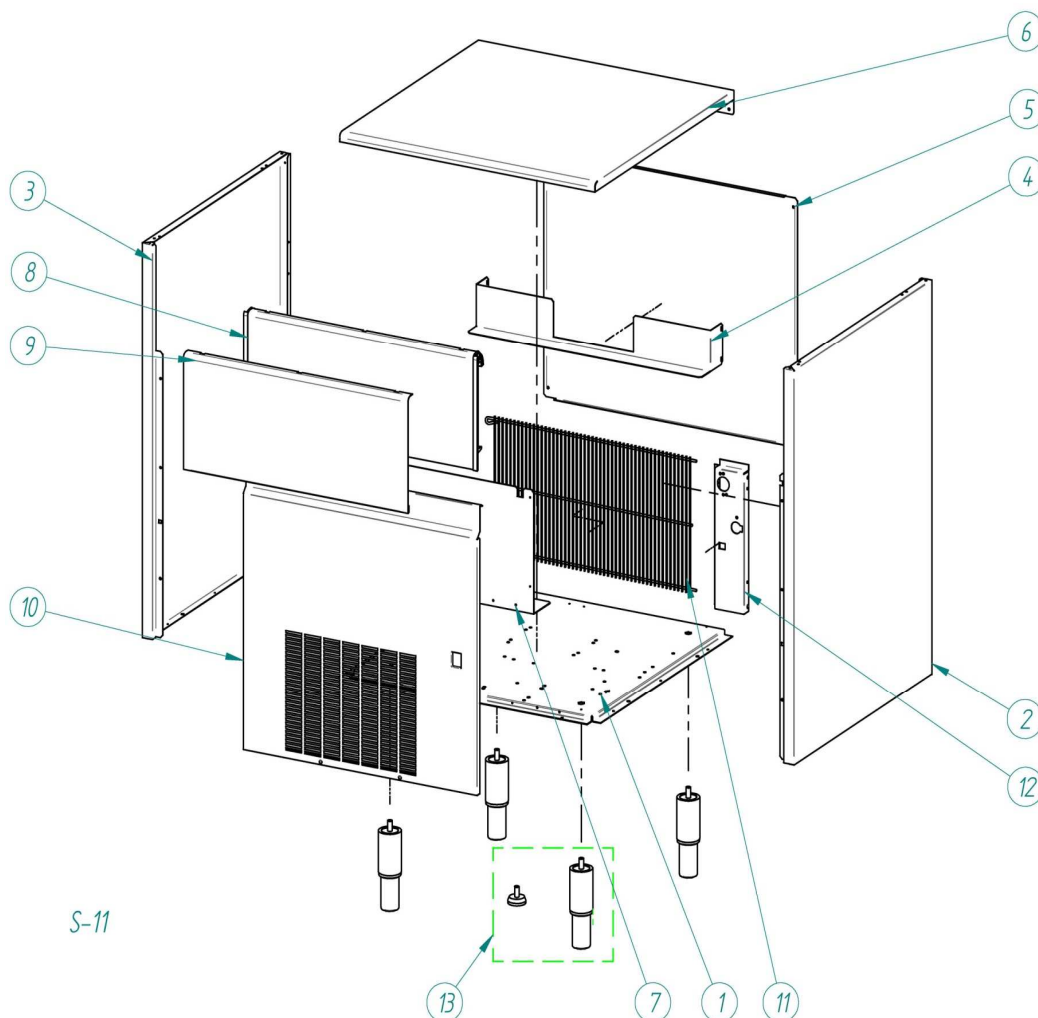


Mod: **WR-SP41-A**

Production code: **SPRAY SK 45A**

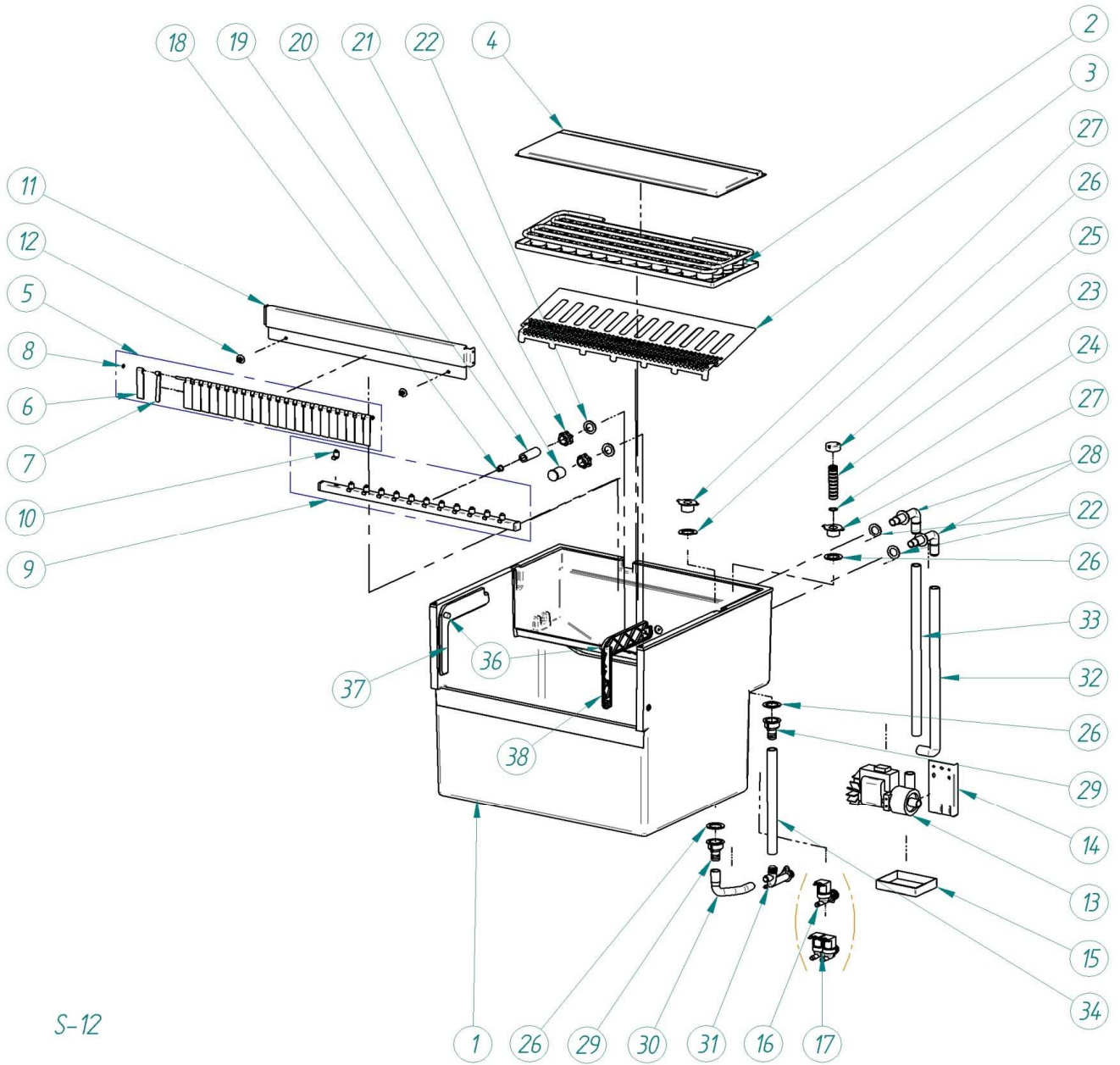
CABINET SS-SK



S-11

CABINET SS-SK						
	NAME	35	45	60	80	120
1	BASE	4101	4116	4136	4143	4296
2	RIGHT PANEL SS	4810	4812	4814	4814	4816
	RIGHT PANEL SK	4436	4438	4440	4440	4442
3	LEFT PANEL SS	4811	4813	4815	4815	4817
	LEFT PANEL SK	4437	4439	4441	4441	4443
4	REAR SUPPORT	4106	4122	4136	-	-
5	REAR PANEL	4108	4124	4138	4460	-
6	TOP PANEL SS	4818	4819	4820	4820	4821
	TOP PANEL SK	4444	4445	4446	4446	4447
7	FRONT SUPPORT	4105	4121	4135	-	-
8	DOOR	4268	4269	4270	4270	4271
9	TOP PANEL (DOOR) SS	6418	6419	6420	6420	6421
	TOP PANEL (DOOR) SK	4456	4457	4458	4458	4459
10	FRONT PANEL AND GRID SS	2086	2088	2089	6453	-
	FRONT PANEL AND GRID SK	4448	4449	4450	4451	-
11	REAR GRID	-	4129	-	-	-
12	TUBE SUPPORT	4107	4123	4137	4298	-
13	LEGS	4144+4147		1478		-

STOCK BIN SS-SK

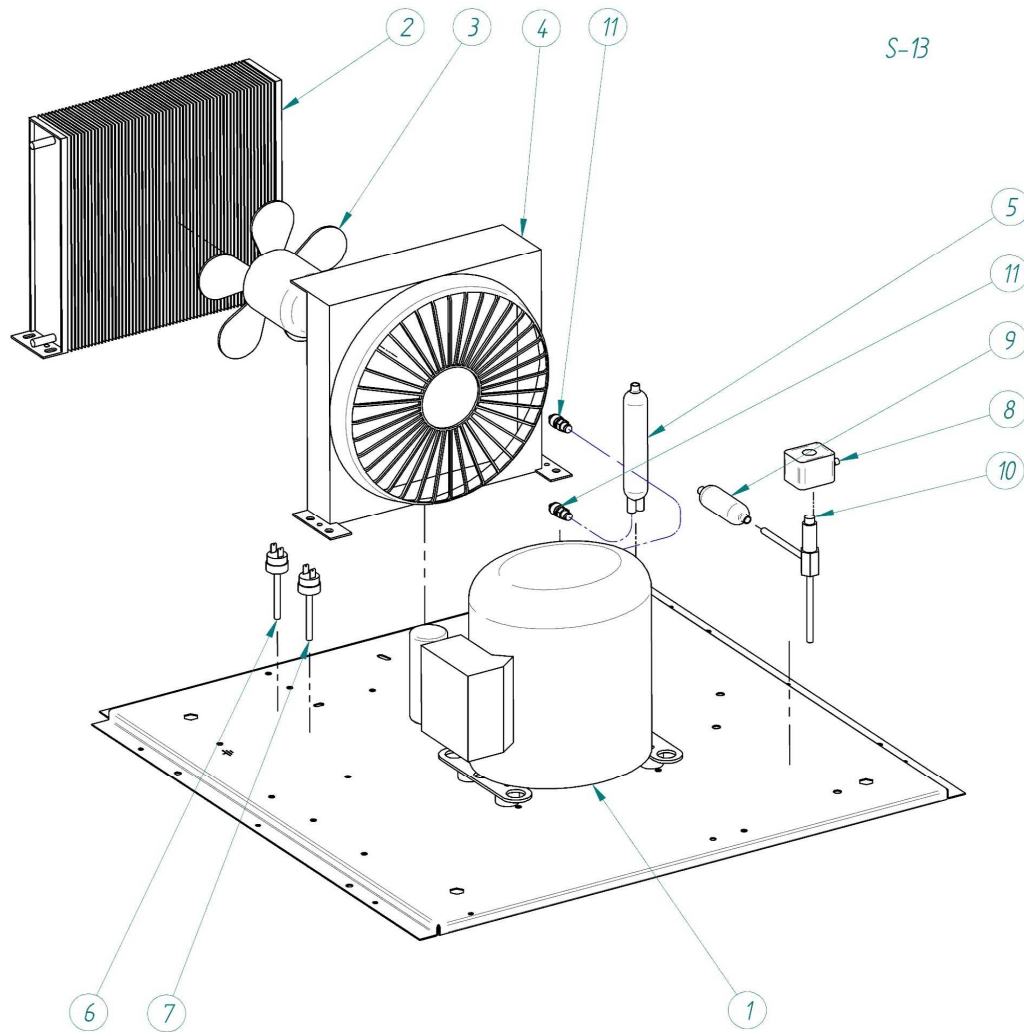


S-12

STOCK BIN SS-SK

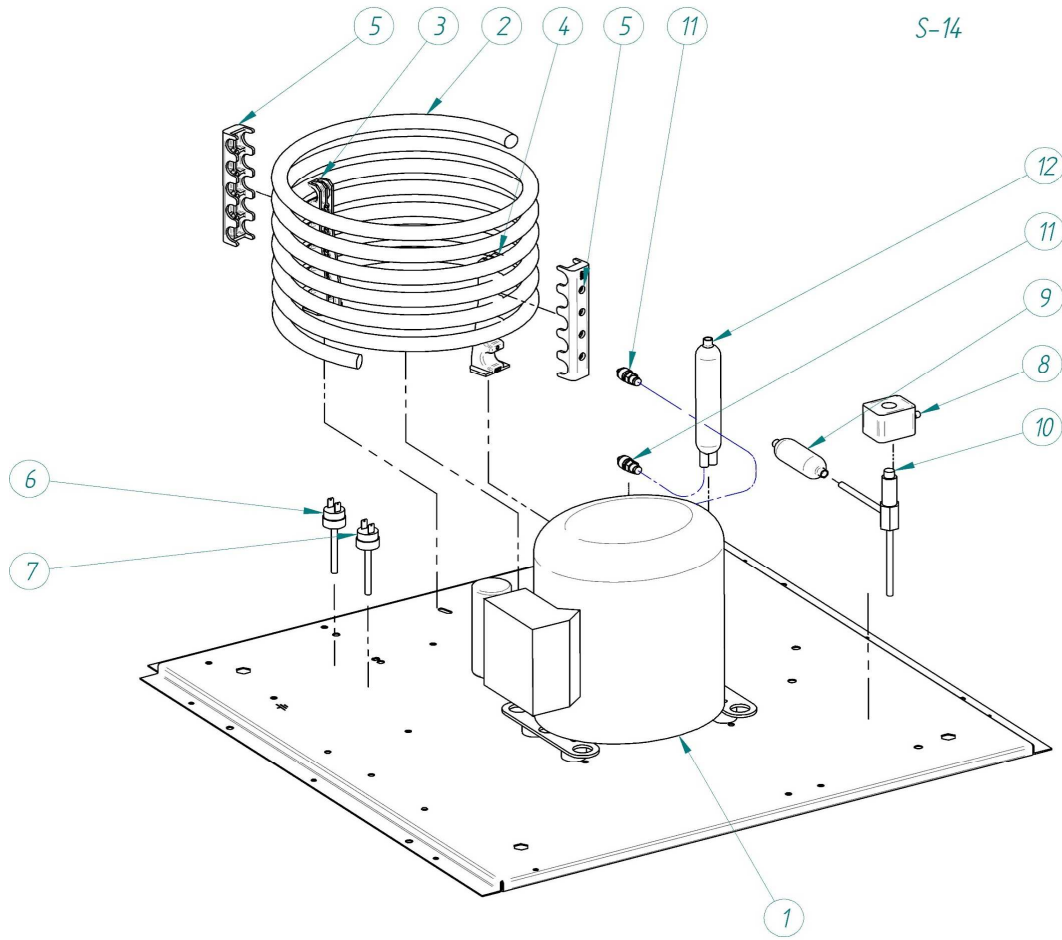
STOCK BIN					
NAME	35	45	60	80	120
1 STOCK BIN		7460	7461	7462	7498
2 EVAPORATOR	30gr	7449	7450	7451	7501
	40gr	7435	7440	7441	7469
3 EJECT CUBE GRILL		4465	4466	4467	4468
4 TAPA EVAPORADOR		4707	4708	4709	4710
5 CURTAIN		5008	5887	5888	5957
6 EXTERIOR CURTAIN SLAT		1213			
7 INTERIOR CURTAIN SLAT		1212			
8 JOINT		107			
9 COLECTOR		7454	7455	7456	7497
10 NOZZLE		526			
11 CURTAIN SUPPORT		4461	4462	4463	4464
12 CLIP		3533			
13 PUMP		4769	4803	4556	4803
14 PUMP SUPPORT		4613			
15 CONDENSATION TRAY		4521			
16 WATER INLET VALVE		1673			4525
17 WATER INLET VALVE		1674			1913
18 WATER REGULATOR		805	-	5962	4527
19 TUBE		4098			
20 FILTER		4505			
21 PLASTIC NUT		4502			
22 JOINT		4503			
23 OVERFLOW PLASTIC COUPLING		4426			
24 OVERFLOW TUBE		4496			
25 ELBOW ADAPTER		4427			
26 JOINT		4755			
27 DRAIN		6017			
28 DRAIN ELBOW ADAPTER		4501			4594
29 DRAIN STRIGHT UNION		6018			
30 DRAIN COUPLING		6021			4714
31 WATER DISTRIBUTOR		363			6206
32 WATER INLET TUBE		4551	4725	4728	4739
33 WATER OUTLET PIPE		4713	4724	4727	4885
34 OVERFLOW TUBE		4714	4726	4726	-
36 CLIP		4276			
37 LEFT GUIDE		4273			
38 RIGHT GUIDE		4272			

AIR CONDENSER UNIT SS-SK



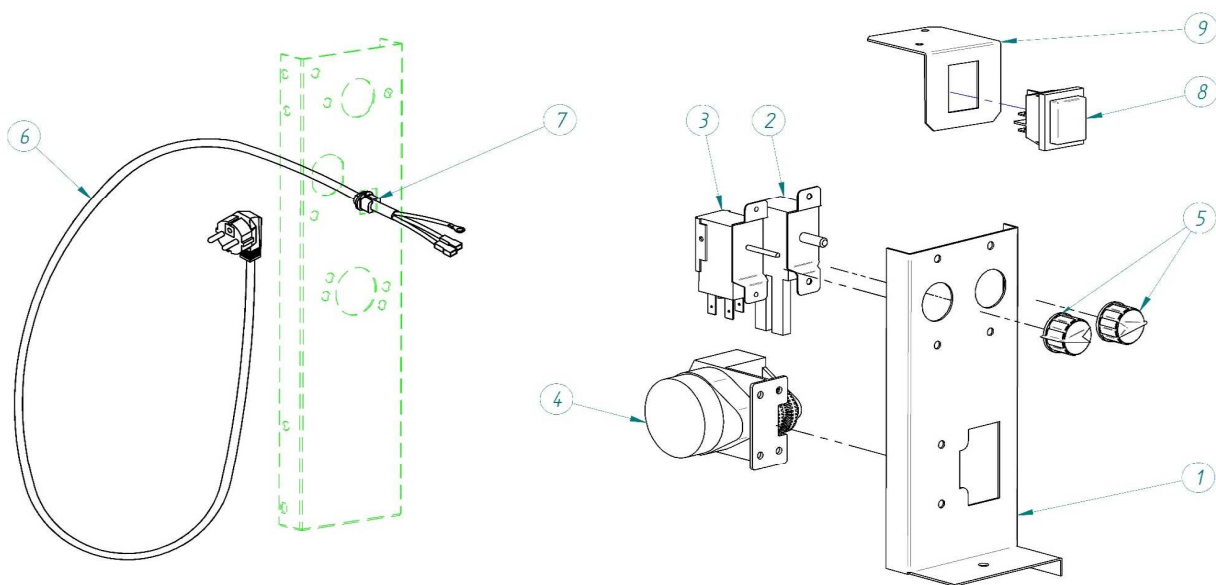
AIR CONDENSER UNIT SS-SK					
NAME	35	45	60	80	120
1 COMPRESSOR	6005	6006	6007		6008
2 CONDENSER	4559	4560	4150		1052
3 FAN	443	28	1326	4230	28
4 CONDENSER BAFFLE	-	-	-	2435	-
5 DRIER	449		1717		
6 SAFETY PRESSURE SWITCH	334				2683
7 CONDENS PRESSURE SWITCH			7476		
8 COIL			5173		
9 FILTER			448		
10 HOT GAS VALVE			1473		
11 INLET VALVE			335		

WATER CONDENSER UNIT SS-SK



WATER CONDENSER UNIT SS-SK					
NAME	35	45	60	80	120
1 COMPRESSOR	6005	6006	6007		6008
2 CONDENSER	5242	5243	5244		5246
3 SUPPORT			4036		
4 SUPPORT			4037		
5 SUPPORT			4038		
6 SAFETY PRESSURE SWITCH			334		2683
7 CONDENS PRESSURE SWITCH			7476		
8 COIL			5173		
9 FILTER			448		
10 HOT GAS VALVE			1473		
11 VALVE REFRIG REFILL			335		
12 DRIER	449		1717		

ELECTRIC BOARD SS-SK



S-15

ELECTRIC BOARD SS-SK

NAME	35-45	60	80	120
1 SUPPORT		4469		
2 CYCLE THERMOSTAT		153		
3 STOCK THERMOSTAT		274		
4 TIMER		380		
5 THERMOSTAT CONTROL		272		
6 ELECTRIC CORD		408		
7 WIRING FIXING FLANGE		664		
8 SWITCH		6597		
9 SWITCH SUPPORT		4455		