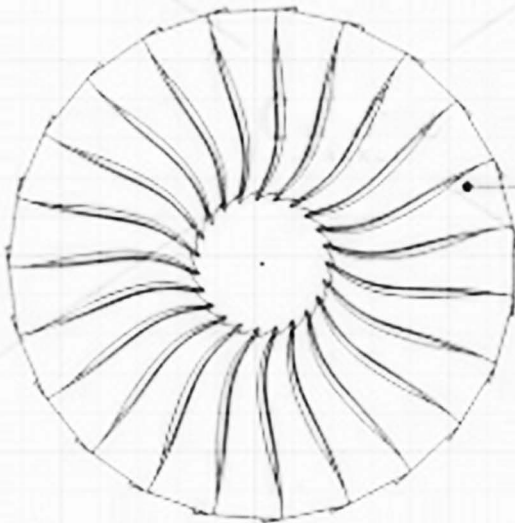
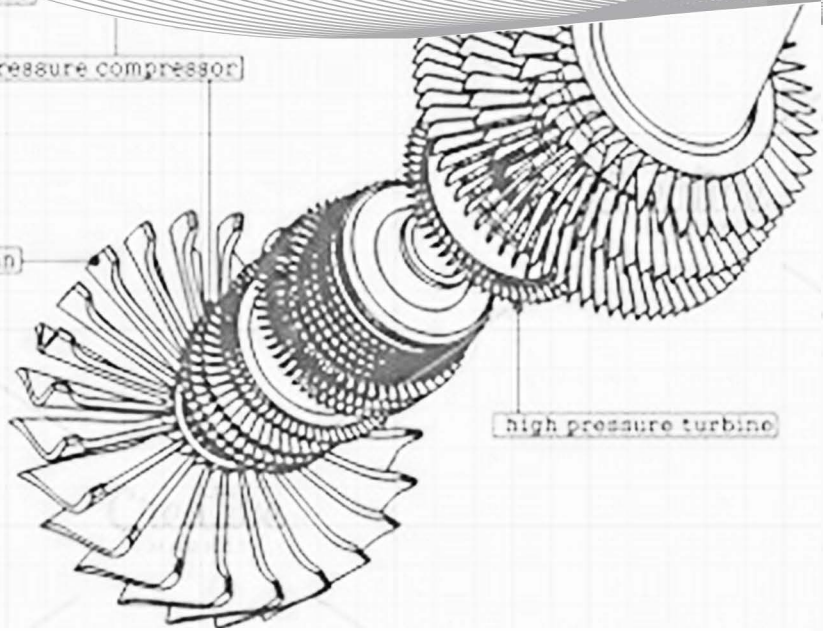


high pressure compressor

low pressure compressor



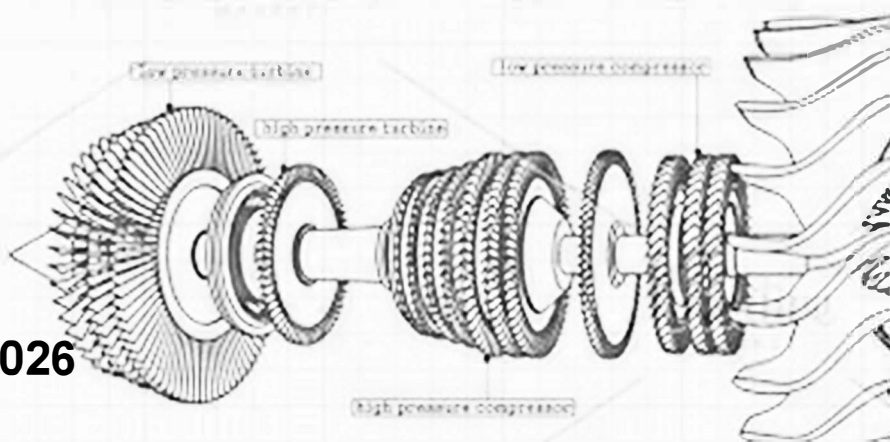
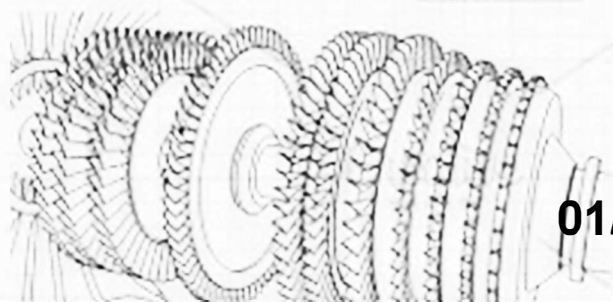
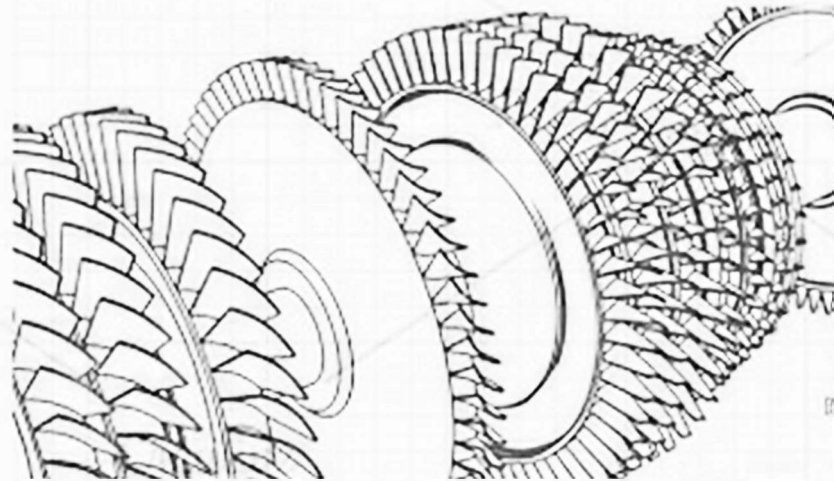
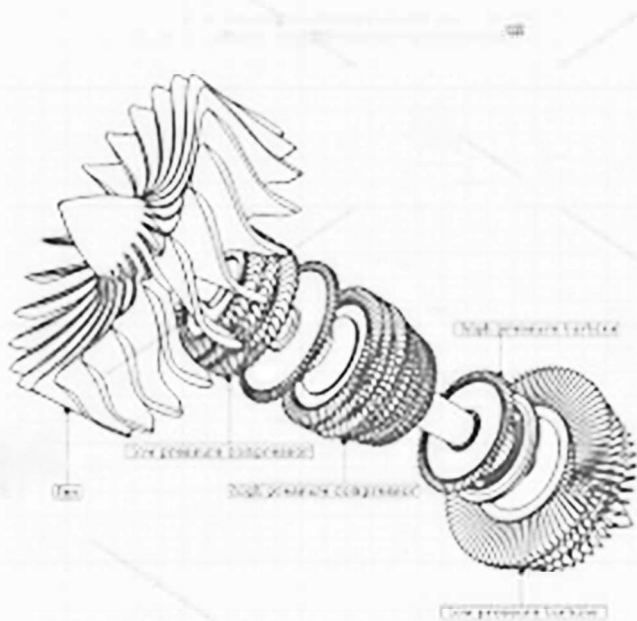
fan



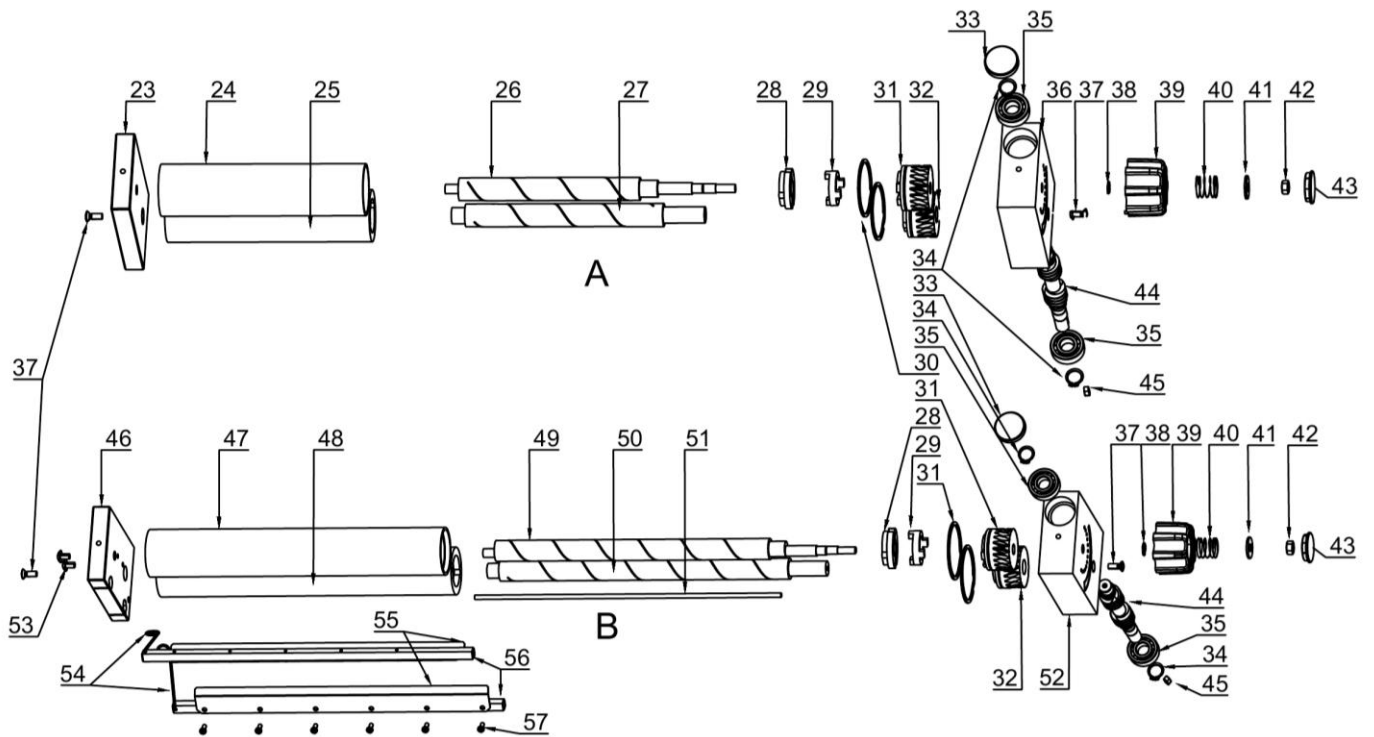
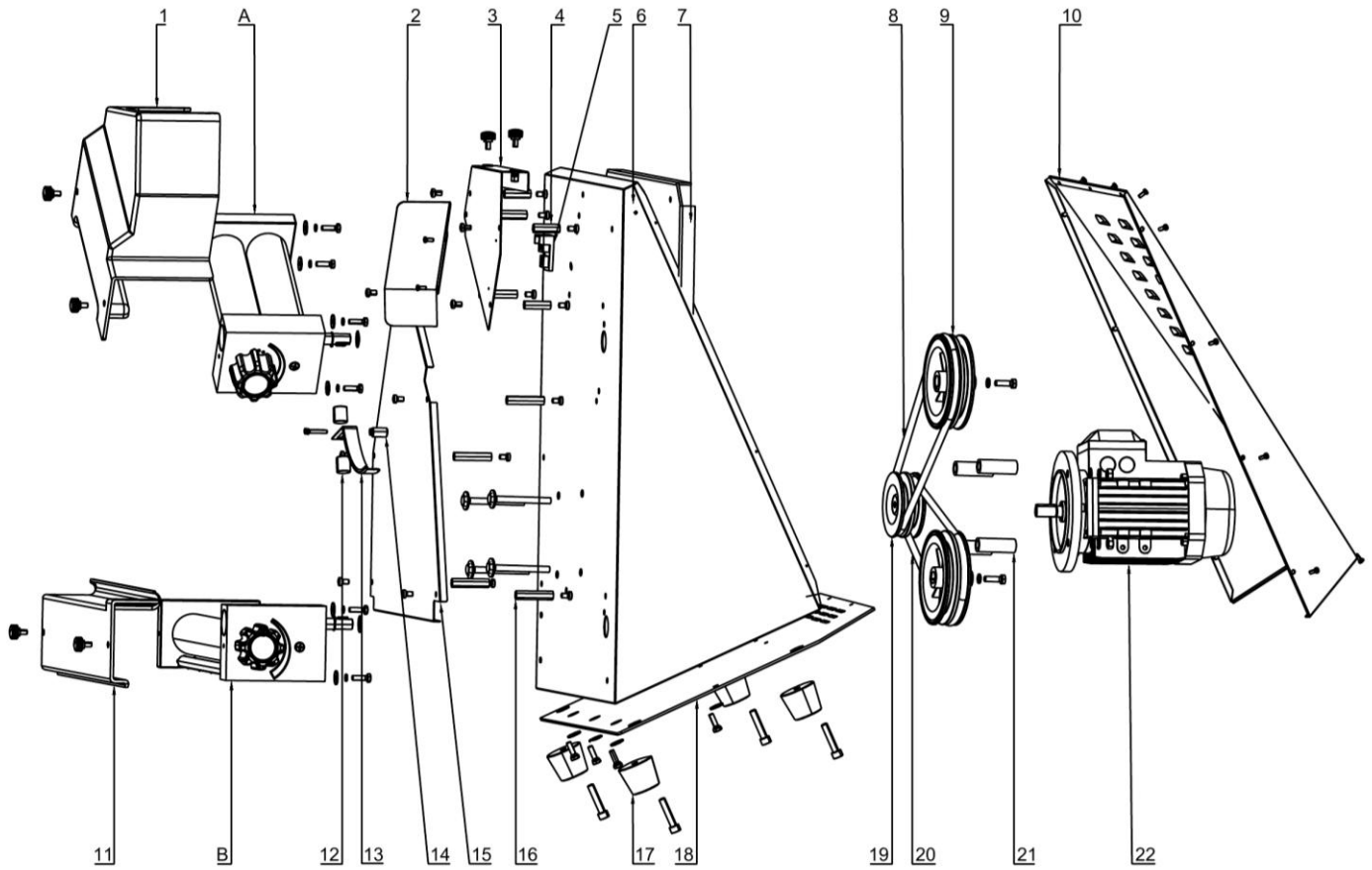
high pressure turbine

MOD : WR-LP32-XP

Production code : 1D900220



EXPLODED VIEW WR-LP32-XP



SPARE PARTS

No#	NAME	QTY	No#	NAME	QTY
1	Upper transparent cover	1	30	Oil-seal ring (50X45.6X1.5)	4
2	Upper feeding baffle	1	31	Eccentric turbine	2
3	Upper feeding plate	1	32	Concentric turbine	2
4	Stainless steel column 6*35	4	33	Bearing cap	2
5	Switch	1	34	Circlip (15)	4
6	Fuselage	1	35	Bearing(6202)	4
7	Reinforcement plate	1	36	Upper roller fixed plate (right)	1
8	Imported PU belt 8*675	1	37	Stainless steel countersunk screw 6 * 12	4
9	Driven pulley	2	38	Circlip (9)	2
10	Back cover	1	39	Adjusting knob	2
11	Lower transparent cover	1	40	Spring	2
12	Clump weight	2	41	Stainless steel flat gasket with a diameter of 25X and 8X2	2
13	Blocking hook	1	42	Stainless steel lock nut M8	2
14	Plastic column 8X20	2	43	Knob cover	2
15	Dough guide plate	1	44	Worm shaft	2
16	Stainless steel column 6*50	5	45	A-type flat key (5X20)	2
17	Plastic feet	4	46	Lower roller fixed plate (left)	1
18	Fuselage base plate	1	47	Lower eccentric roller	1
19	Motor pulley	1	48	Lower concentric roller	1
20	Imported PU belt 8*600	1	49	Lower eccentric shaft	1
21	Motor fixed column ϕ 10.2*16*52	4	50	Lower concentric shaft	1
22	Motor	1	51	Stainless steel strip	1
23	Upper roller fixed plate (left)	1	52	Lower roller fixed plate (right)	1
24	Short eccentric roller	1	53	Stainless steel cross large flat screw 6*12	2
25	Short concentric roller	1	54	Hold-down spring	2
26	Short eccentric shaft	1	55	Blade	2
27	Short concentric shaft	1	56	Aluminum rod	2
28	Eccentric fixed block	2	57	Stainless steel cross pan head screw 4*6	12
29	Eccentric adjusting block	2			