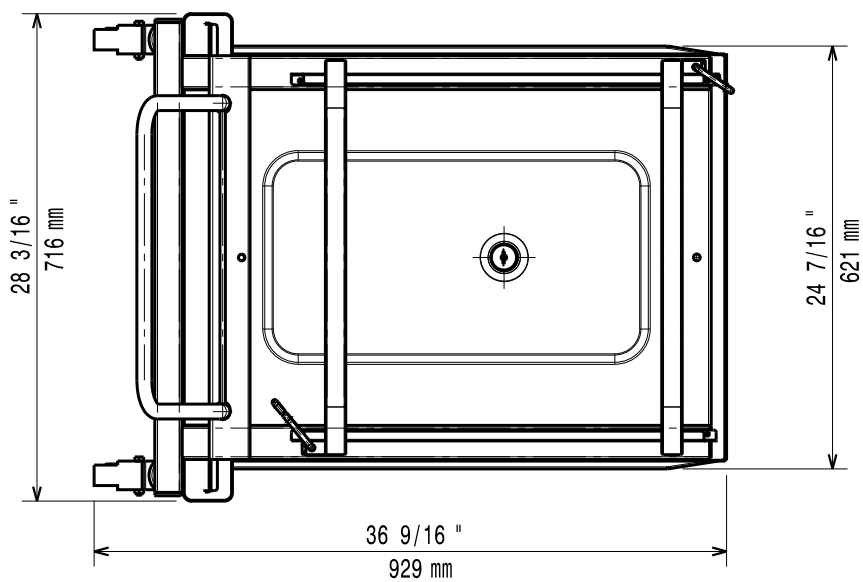
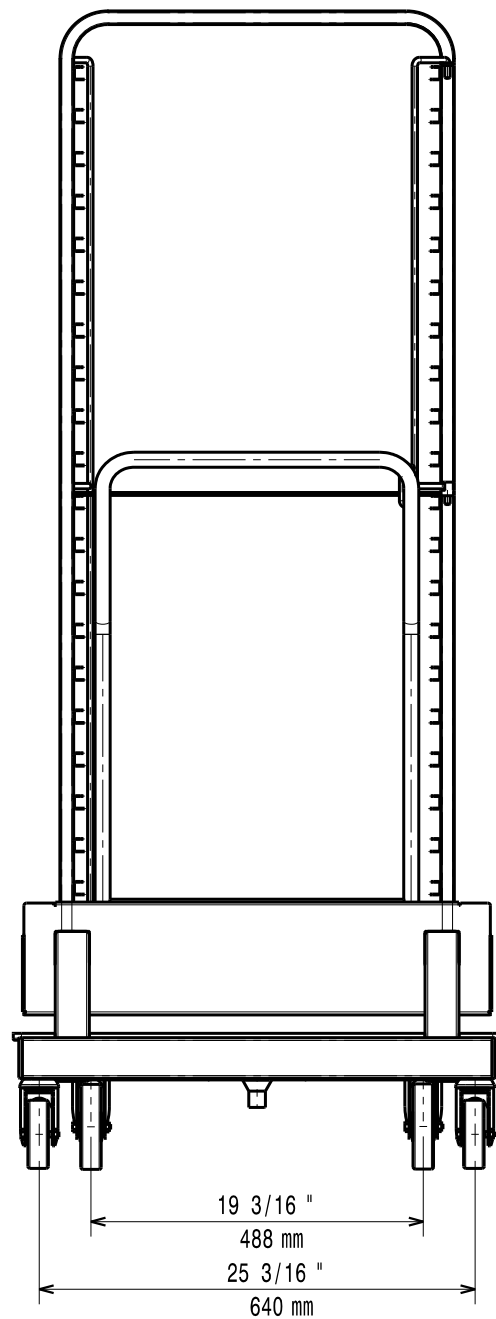
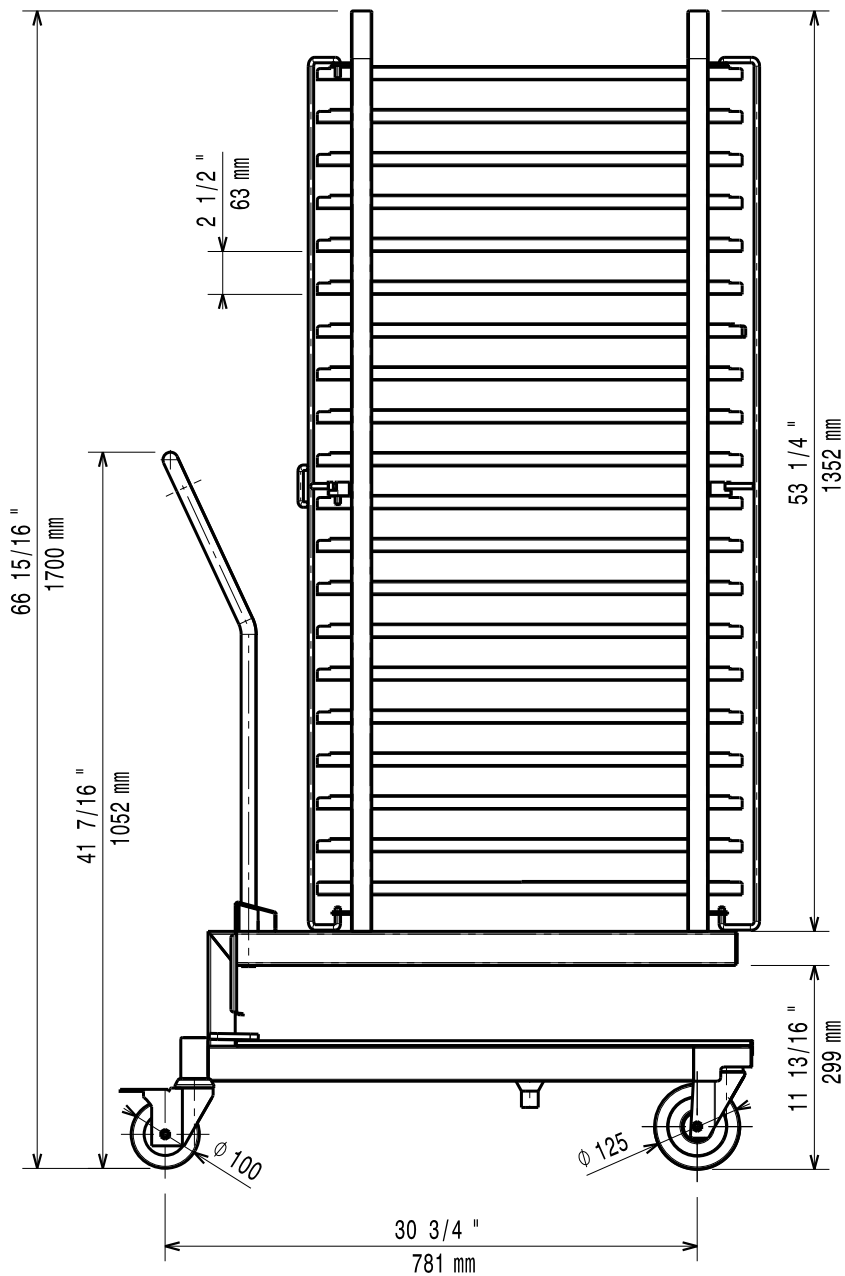


10/2020

# **Mod: AC-2G22-2063-X**

**Production code: 922757**



597400D01