

08/2018

Mod: ICE280MWS-R2

Production code: G280W HC



Diamond
catering equipment

EC DECLARATION OF CONFORMITY

EN

The above-mentioned apparatus is designed for the production of ice. We the undersigned declare under our own exclusive responsibility that the ice maker referred to in this declaration is in full compliance with the requirements of the following European Directives, standard, regulations, technical specifications and subsequent modifications.

Directive:

2014/35/EU	Low Voltage Directive
2006/42/CE	Machinery Directive
2014/30/EU	Electromagnetic Compatibility Directive
2011/65/UE	Restriction of the use of certain hazardous substances in electrical and electronic equipment

Standard:

EN 60335-1	Household and similar electrical appliances - Safety - Part 1: General requirements
EN 60335-2-75	Household and similar electrical appliances - Safety - Part 2-75: Particular requirements for commercial dispensing appliances and vending machines
EN 62233	Measurement methods for electromagnetic fields of household appliances and similar apparatus with regard to human exposure
EN 12100	Safety of machinery - Basic concepts, general principles for design - Part 1: Basic terminology, methodology
EN 55014-1	Electromagnetic compatibility: requirements for household appliances, electric tools and similar apparatus. Emission
EN 55014-2	Electromagnetic compatibility: requirements for household appliances, electric tools and similar apparatus. Immunity – product family standard
EN 61000-3-2	Electromagnetic compatibility. Limits. Limits for harmonic current emissions (equipment with input current up to and including 16A per phase)
EN 61000-3-3	Electromagnetic compatibility. Limits. Limitation of voltage changes, voltage fluctuations and flicker in public low-voltage supply systems, for equipment with rated current \leq 16A per phase and not subjected to conditional connection
EN 50581	Technical documentation for the assessment of electrical and electronic products with respect to the restriction of hazardous substances

Regulations and technical specifications:

D.M. 21/3/73	Regulations covering hygiene of packaging, recipients, tools and equipment, designed to come into contact with foodstuffs and substances for personal use
CE 1935/2004	Materials and articles intended to come into contact with food
CE 2023/2006	Good manufacturing practice for materials and articles intended to come into contact with food

Dear Customer, Congratulations on having chosen a top-quality product, which is sure to live up to your expectations. Please **read this instruction manual carefully before using** your new modular automatic granular ice flaker.

TABLE OF CONTENTS

- 1 IMPORTANT ADVICE AND RECOMMENDATIONS**
- 2 TECHNICAL SPECIFICATIONS**
- 3 ADVICE ABOUT TRANSPORTATION**
- 4 UNPACKING**
- 5 INSTALLATION**
 - 5.1 CONNECTION DIAGRAM
 - 5.2 POSITIONING
 - 5.3 CONNECTION TO WATER MAINS
 - 5.3.a WATER SUPPLY
 - 5.3.b DRAIN
 - 5.4 CONNECTION TO THE ELECTRICITY MAINS
- 6 START-UP**
 - 6.1 CLEANING INTERNAL PARTS
 - 6.2 START-UP
 - 6.3 CLEANING THE STEEL PARTS
- 7 MAIN CAUSES OF OPERATING FAILURE**
- 8 OPERATION**
- 9 MAINTENANCE**
 - 9.1 CLEANING THE FILTER OF WATER SUPPLY SOLENOID VALVE
 - 9.2 AIR-COOLED MODELS
 - 9.3 CLEANING AND SANITIZING OPERATIONS
- 10 CLEANING**
- 11 SANITIZING**
- 12 PERIODS AT A STANDSTILL**

The figures in this manual are of a general nature. Some details may therefore differ depending on the specific model.

The Manufacturer declines all liability for any inaccuracies in this instruction manual due to printing or transcription errors. The Manufacturer also reserves the right to make any modifications to the products that may be necessary or useful, also in the interests of the user, without impairing the products' essential features of functionality and safety.



Symbol ISO 3864-B.3.2 CAUTION: Fire hazard

Before installing and using the appliance, read the advice and recommendations contained in this instruction manual very carefully. They are given in order to ensure safe installation, use and maintenance of the appliance.

Before to start, make sure that the appliance is intact. If in doubt, do not use it and contact the authorized technical assistance center.

The ice maker can only be put into operation if the installation has been carried out in compliance with local laws and regulations and according to the instructions in this manual.

This appliance contains R290 refrigerant, a natural gas that is not harmful to the environment but is flammable.

R290 refrigerant is a colourless, odourless gas, and as such its presence cannot be identified by the senses. This condition requires special safety measures.

Installation, maintenance, repairs and any other intervention on the ice maker must only be performed by trained staff who are qualified in line with national laws to work with flammable gases. Works performed by unqualified staff may result in serious hazards.

Install the ice maker:

- in places with a minimum volume of 1 m³ for every 8 grams of R290; the quantity is indicated on the data plate affixed to the appliance
- in places with flat, intact flooring, with no channels or grilles or other connections to the floors below, where in the event of leakage the gas could accumulate (R290 refrigerant is heavier than air and tends to accumulate downwards)
- away from electrical switches, live flames, hot surfaces and other sources of combustion or ignition


Before starting the appliance CHECK IT IS IN GOOD CONDITION. IF YOU ARE IN ANY DOUBT DO NOT USE IT.


The ice maker can be operated only if it has been installed in compliance with local laws and regulations and following the instructions given in this manual.

It is strictly forbidden to access the refrigerator circuit of the appliance, call an authorised servicer in case of need.


In the event of damage to the refrigeration circuit: switch off the machine immediately, disconnect it from the power supply, ventilate the room and call the Authorized Technical Service Centre.


It is absolutely forbidden for the user to access the appliance's cooling circuit, in case of necessity, call the authorized assistance.

 **WARNING:** Do not use mechanical devices such as screwdrivers, sharp tools or other means to speed up the defrosting process.

 **WARNING:** Keep the vents in the appliance casing or flush-mounting frame clear from obstructions.

 **WARNING:** Do not damage the refrigerant circuit.

 **WARNING:** Do not use electrical apparatus in the ice compartments

 **WARNING:** Do not keep explosive substances in the apparatus compartment, such as aerosol spray cans with flammable propellant

In the event of damage to the refrigerant circuit: switch off the machine immediately, disconnect it from the power supply, ventilate the environment, call authorized service.

This instruction manual forms an integral part of the automatic ice-cube maker (also more simply called “appliance” in the text) and must be kept for possible future consultation.

The user must keep this documentation intact to allow it to be consulted throughout the useful life of the appliance.


Keep this manual safe and ensure that it is available for consultation near the appliance.

If lost or destroyed ask for another copy from the distributor, indicating the serial number and model of the appliance.

The manual describes the state of the art at the time of supply of the appliance, the distributor reserves the right to modify its appliances when deemed useful at any time, without having to update this document or document relating to previous production batches.


The technical staff in charge of the activities performed on the appliance are responsible for the application of the safety requirements laid down in this manual, and shall ensure that the authorised staff:

- are qualified to perform the required activities
- know and comply with the instructions laid down in this document
- know and apply the national safety requirements applicable to this appliance

 Before installing and using the appliance, read the advice and recommendations contained in this instruction manual very carefully. They are given in order to ensure safe installation, use and maintenance of the appliance.

- No use flames and source of ignition and combustion
- always remove the plug from the power socket before proceeding with any cleaning or maintenance operations
- to ensure the appliance operates efficiently and correctly, it is essential to comply with the Manufacturer's instructions and to make sure that maintenance is performed by specially qualified personnel
- do not remove any of the panels or grilles
- do not rest objects on the appliance or in front of the ventilation grilles
- always lift the appliance to move it, even slightly. Do not push or pull it
- any use of the appliance other than the ice production using cold drinking water will be deemed improper

- do not obstruct the ventilation and heat-dissipation grilles, since poor aeration - in addition to reducing efficiency and causing poor operation - may also cause serious damage to the appliance
- if the appliance breaks down and/or operates in a faulty way, switch it off by means of the main switch fitted during the installation phase, remove the plug from the socket (if any), and turn off the water tap(s). Do not make any attempt to repair the appliance yourself. Contact only professionally qualified and authorized personnel
- in addition to rendering any form of warranty null and void, modifying (or attempting to modify) this appliance is extremely dangerous
- do not use the ice bin to cool or store food or drinks, because these operations could obstruct the drainage outlet, causing the bin to fill up with water and overflow
- in the event of a failure, contact the dealer who sold you the appliance; he will be able to give you the address of your nearest Authorized Technical Service Centre. Always insist on having original spare parts mounted
- any specific information or diagrams regarding particular models will be attached to this instruction manual
- are available accessories that allow to switch on and off the appliance from remote location, por that allow to adjust the leve of stored ice. The liability for damages to persons, animals, objects or to the appliance itself caused by improper installation, is of those who performed the installation

 Use of this electrical appliance requires compliance with certain fundamental rules; in particular:

- do not touch the appliance with wet or damp hands or feet
- do not use the appliance when you are barefoot

- do not use extensions in premises such as bathrooms or shower rooms
 - do not tug on the power supply cable to disconnect it from the mains
 - this appliance can be used by children aged from 8 years and above and persons with reduced physical, sensory or mental capabilities or lack of experience and knowledge, if they have been given supervision or instruction concerning use of the appliance in a safe way and understand the hazards involved. Children shall not play with the appliance. Cleaning and user maintenance shall not be made by children without supervision
 - supervise children to ensure that they do not play with the appliance
- Should you decide to scrap appliance, first disconnect the power cable from the mains, and then cut the cable off.

In addition, proceed as follows:

- do not allow the coolant gas and oil in the compressor to disperse into the environment
- dispose of or recover the various materials according to the provisions established by the current laws in force in your Country



This symbol means that this product should not be treated as a household waste. To prevent potential negative consequences for the environment and health, be sure this product is correctly disposed of and recycled. For information on the disposal and recycling of this product, contact your Distributor or the Waste Treatment Service.

This appliance does not contain coolant that damages the ozone layer. It contains fluorinated greenhouse gases covered by the Kyoto Protocol. This product is hermetically sealed.

⚠ The Manufacturer shall not be liable for any damage to the environment, animals, persons or objects caused by incorrect installation.

2 TECHNICAL DATA (Fig. 1)

The voltage and frequency are given on the data plate on the appliance. Refer to this data plate to check compliance.

Voltage (1), power (2), model (3), serial No. (4), Manufacturer (5).

The weighted equivalent continuous sound level A of this appliance is less than 70 dB(A). The measurements were taken 1 metre from the surface of the appliance and 1.60 metres above ground, during ice production.

The wiring diagram is stuck inside front panel or on the rear panel of the appliance.

3 ADVICE ABOUT TRANSPORTATION

The net weight and the weight including packaging of the appliance are given on the cover of this instruction manual. Please refer to the instructions on the packaging in order to correctly transport and lift the appliance.

To prevent the oil in the compressor from flowing back into the coolant circuit, always make sure that the appliance is kept upright during transport, storage, and handling. Follow the instructions given on the packaging.

4 UNPACKING

The appliance must be installed by authorized personnel, in compliance with the current laws in force and the Manufacturer's instructions.

Once you have removed the packaging according to the instructions on the box, MAKE SURE THAT THE APPLIANCE IS IN A PERFECTLY GOOD CONDITION. IF IN DOUBT, DO NOT USE IT AND IMMEDIATELY CONTACT THE DEALER who sold it to you.

All the packaging items (plastic bags, cardboard, polystyrene foam, nails, etc.) must be removed and put out of the reach of children, as they are potential sources of danger.

With the pallet resting completely on the ground, lift the appliance with lifting gear suited to its weight and separate it from the wooden pallet.

NOTE FOR INSTALLER:

This operation must only be performed by professionally qualified and authorized personnel.

The appliances contain threaded holes for hooking eyebolts (Fig. 2). To prevent damage to the appliance, the lifting bolts should be kept vertical during lifting.

5 INSTALLATION

5.1 CONNECTION DIAGRAM (Fig. 3)

6. electrical connection controlled by omnipolar circuit-breaker with residual current device
7. water tap(s)
8. water supply pipe for ice making
9. water supply pipe for water cooling (W)
10. water drainage pipe
11. cooling water drainage pipe (W)

5.2 POSITIONING

⚠ The appliance must be installed in a hygienically clean location; it is advisable to avoid rooms like cellars and store-rooms, because failure to meet hygiene requirements is likely to lead to the formation and proliferation of bacteria in the appliance.

The appliance can operate at an ambient temperature of between 10°C and 43°C. The best performance will be obtained by installing the appliance in a place with an ambient temperature of between 10°C and 35°C and a water temperature of between 3°C and 25°C.

Avoid direct exposure to sunlight and do not install near heat sources.

⚠ This appliance:

- must be installed in a place where it can be supervised by skilled personnel
- must not be used outdoors
- must not be installed in damp places or where it is liable to be sprayed with water
- must not be cleaned with jets of water
- must be allowed a clearance of least 20 cm all around

⚠ The connection of the appliance with the accessories must be carried out by professionally skilled and qualified personnel.

The accessories are supplied with instructions showing the correct connection to the appliance

The liability for damages to persons, animals, objects or to the appliance itself caused by improper installation of the accessories, is exclusively of those who performed the installation.

⚠ The manufacturer declines all liability for installation of accessories supplied by other manufacturers.

⚠ The appliance must be installed on a bin.

For correct installation on our bins, see the diagrams supplied with the bins.

In any event the instructions and advice contained in this manual must be complied with, especially those relating to connection to the electricity and water supply.

Use a spirit level to ensure that the appliance is standing perfectly level. If necessary, adjust the legs fitted to our bins.

⚠ The manufacturer declines all liability for installation on bins made by other manufacturers.

5.3 CONNECTION TO THE WATER MAINS

IMPORTANT:

- the appliance must be connected to the water mains by professionally qualified personnel in accordance with the Manufacturer's instructions
- this appliance must be only be supplied with cold water for human consumption (drinking water)
- the operating pressure must be between 0.1 and 0.6 MPa
- a tap must be installed between the water mains and each feed pipe of the appliance, so that the water supply may be shut off if necessary
- where the feed water is particularly hard, you are advised to install a polyvalent cartridge filter. Any solid particles (e.g. sand) may be eliminated by installing a mechanical filter, which must be periodically inspected and cleaned. These devices must comply with the standards in force in the Country of use
- never turn the water supply tap(s) off when the appliance is working
- only new hose-sets supplied with the appliance are to be used to connect the appliance to water mains, old hose-sets should not be reused
- **Is forbidden install the machine to De-ionized or Reverse Osmosis Water**

5.3.a FILLING WITH WATER (Fig. 4)

Insert the special seals provided (13) in the two threaded ring nuts (12) of the water supply pipe (8) supplied with the appliance. Without exerting excessive force (otherwise the unions could crack), firmly tighten one of the threaded ring nuts on the outlet of the solenoid valve located in the rear of the appliance. The other threaded ring nut must be screwed to the water tap (7); this too must be provided with a thread.

For water-cooled models, connect union (15) to a tap (7) with a water supply pipe (9).

5.3.b DRAIN (Fig. 4)

Fix the water drain pipe (10) in the housing provided on the rear of the appliance. Make sure that:

- the pipe is a hose
- the internal diameter is 22 mm, as required
- the water drain hose is not throttled at any point throughout its length
- the drain hose slopes downwards by at least 15%

For water-cooled models connect union (16) to a drain with a water drainage pipe (11).

It is advisable to drain the water straight into an open drain trap.

5.4 CONNECTION TO THE ELECTRICITY MAINS

IMPORTANT:

- the appliance must be connected to the electricity mains by professionally qualified personnel in accordance with the Manufacturer's instructions
- before connecting the appliance to the electricity mains, make sure that the mains voltage rating corresponds to the value indicated on the rating plate
- make sure that the appliance is connected to an efficient earthing system
- make sure that the capacity of the power supply system suits the maximum power value indicated on the rating plate of the appliance
- if the appliance comes supplied with a plug, prepare a socket controlled by an omnipolar circuit-breaker (6 in Fig. 3), with a contact-opening gap of not less than 3 mm, that provides full disconnection under overvoltage category III conditions, in accordance with national safety standards currently in force. This switch must be equipped with fuses, with the associated residual current device positioned in such a way as to be readily accessible. Insert the plug into the socket controlled by the switch
- the plug must only be replaced by professionally qualified and authorized personnel, and the new plug must comply with current national safety standards
- if the appliance comes supplied without a plug and you wish to connect it permanently to the power supply, prepare an omnipolar circuit-breaker, with a contact-opening gap of not less than 3 mm, that provides full disconnection under overvoltage category III conditions, in accordance with national safety standards currently in force. This switch must be equipped with fuses, with the associated residual current device positioned in such a way as to be readily accessible. **This operation must be carried out by a specialized technician**
- make sure that you fully uncoil the power supply cable and check that it is not crushed in any way
- should the supply cable be damaged, it must be replaced by a specialized technician using a special cable available from the Manufacturer or from the Technical Service Centres

6 START-UP

6.1 CLEANING INTERNAL PARTS

The appliance will have already been cleaned in the factory. However, you are advised to wash the internal parts again before using the appliance. Make sure that the power supply cable is unplugged before carrying out the above cleaning operation.

See cleaning and sanitizing manual for information regarding cleaning operations.

Use ordinary washing-up liquid or a water and vinegar solution for cleaning operations; after cleaning, rinse thoroughly with cold water and discard the ice produced during the first 30 minutes after cleaning, together with any ice present in the bin.

It is advisable to avoid using abrasive detergents or powders, since these might damage the finish.


6.2 START-UP

Once the appliance has been correctly connected to the electricity mains, water mains and water drain system, it can be started up as follows:

- a) turn on the water supply tap(s) (7 in Fig. 3)
- b) insert the plug (if any) in the socket and switch on the power supply by means of the relative switch fitted during the installation phase (6 in Fig. 3)

For appliances that are connected permanently to the electricity mains, turn on by means of the switch on the outside of the appliance, fitted during the installation phase.

Switch on appliance by pressing the luminous switch (18 in Fig. 2).

 The appliance will begin to produce ice 10 minutes after start-up. Every time the appliance is started up, the rotation sensor will perform a preliminary check on its operation during this period.

6.3 CLEANING THE STEEL PARTS

The appliance was cleaned initially in the factory. For subsequent cleaning operations on the steel parts of the machine, comply with the instructions below:

Do not allow saline solutions to dry or pool on the external steel components of the machine, as this may lead to corrosion.

Avoid contact with ferrous material (scourers, forks, ladles, scrapers, etc.) to prevent corrosion, contamination from ferrous particles circulating in the receptacle.

Carefully clean the stainless steel parts with a damp cloth, water and soap or common, non-abrasive chlorine or ammonia based detergents.

7 MAIN CAUSES OF OPERATING FAILURE

Should the appliance fail to produce ice, before calling on the Authorized Technical Service Centre, first check carefully that:

- the water supply tap(s) (7 in Fig. 3), fitted during the installation phase, has/have been turned on
- check that there is no power cut, the plug (if any) is correctly inserted in the socket, the switch (6 in Fig. 3) is in the "ON" position, and the pushbutton (18 in Fig 2) is illuminated
- check that the rotation sensor is not signalling an alarm

Furthermore:

- if there is excessive noise, make sure that the appliance is not touching furniture or sheet metal which can give rise to noise or vibrations
- should any trace of water appear, check the drain hole of the bin to ensure that it is not clogged, that the water fill and drain pipes are correctly connected and are not throttled or damaged
- make sure that the temperature of the air or water does not exceed the installation limit values (see paragraph 5.2)
- make sure that the water inlet filter is not clogged (see paragraph 9.1)

If the fault still persists after the above inspections have been made, turn off the electric power source by means of the switch fitted during the installation phase, pull out the plug (if any) from its socket, turn off the tap(s) connecting the appliance to the water mains, and contact the nearest Authorized Technical Service Centre.

To obtain a faster and more efficient reply when you call the Centre, state the model of the appliance precisely, together with its serial number or manufacturing number. This information is given on the serial N° plate (Fig. 1) affixed to the rear of the appliance and on the cover of this instruction manual.

8 OPERATION

The appliance has a thermostat which stops ice production when the ice accumulated in the bin reaches the probe connected to the thermostat. When ice is taken from the bin, the thermostat will automatically reactivate ice-cube production, thus creating a new supply of ice.

The appliance is equipped with a rotation sensor which guarantees its correct operation; when the appliance is switched on, it is necessary to wait for 10 minutes while the rotation sensor performs a preliminary check on its correct operation.

NOTE FOR MODELS WITH PRODUCTION OF 280 kg/24h, 510 kg/24h and 1000 kg/24h:

The key to the rotation sensor's error signals is affixed to the appliance.

The appliance is equipped with a safety pressure switch that stops production in the event of a malfunction of the cooling circuit; to restart the appliance, firmly press the reset button (if any). If the fault still persists, turn off the electric power source by means of the switch (6 in Fig. 3) fitted during the installation phase, pull out the plug (if any) from its socket, turn off the water supply tap(s) (7 in Fig. 3), and contact the nearest Authorized Technical Service Centre.

9 MAINTENANCE F

9.1 CLEANING THE FILTER OF WATER SUPPLY SOLENOID VALVE (Fig. 5)

⚠ All the operations described in this paragraph must be carried out only after the electric power and water supplies have been disconnected, as described previously, by professionally qualified and authorized personnel.

- ⚠** At least every two months, clean the filter (17) located on the water inlet solenoid valve, proceeding as follows:
- **switch off the electric power supply** by means of the switch (6 in Fig. 3), fitted during installation, and disconnect the plug of the appliance from its socket (if any)
 - **shut off the water supply** by turning the tap (7 in Fig. 3) fitted during installation
 - unscrew the threaded ring nut (12 in Fig. 4) of the water feed hose, located at the outlet of the solenoid valve at the rear of the appliance
 - using a pair of pliers, remove the filter (17) from its seat without damaging the water feed pipe connector
 - place the filter under a strong jet of water to remove residue, but replace the filter if it is excessively dirty

After having carried out the cleaning operations, refit the filter and hose pipe, taking the necessary precautions described earlier in this instruction manual.

When the operations have terminated, turn on both the electricity supply and water supply.

9.2 AIR-COOLED MODELS (Fig. 6)

For air-cooled models, it is very important to keep the finned condenser and its external filter (if any) clean.

Have the finned condenser cleaned at least once every two months by an Authorized Technical Service Centre, which can include this operation in the scheduled maintenance programme.

The external filter must be cleaned at least once a month, as follows:

- switch off appliance and **cut off power supply** with the switch (6 in Fig. 3) fitted at the installation stage
- remove filter and keep it at a distance from the appliance
- remove dust from filter by blowing with compressed air
- replace filter in its seat

9.3 CLEANING AND SANITIZING OPERATIONS

A cleaning and sanitizing kit specifically designed for this appliance is available from your dealer.

⚠ Do not use corrosive substances to remove limescale from the appliance, because this will invalidate the warranty, and may cause serious damage to the materials and components of the appliance.

Do not use jets of water to clean the appliance.

⚠ All cleaning operations must be carried out only after the electric power and water supplies have been disconnected, as described previously, by professionally qualified and authorized personnel.

Follow the instructions given in the cleaning and sanitizing manual supplied with the appliance.

⚠ IMPORTANT:

- **all the ice produced during the first 30 minutes after cleaning and sanitizing operations, together with any ice present in the bin, must be discarded**
- **when the appliance is cleaned and sanitized, its bin must also be cleaned and sanitized**

Complete sanitizing can only be carried out only by the Authorized Technical Service Centres, and must be done regularly depending on the conditions of use of the appliance, the chemical and physical features of the water, and after every period in which the appliance has remained at a standstill for any length of time.

You are advised to ask your dealer to draw up a scheduled maintenance contract that will cover the following:

- cleaning the condenser
- cleaning the filter located on the water supply solenoid valve
- cleaning and sanitizing the ice-tray
- checking the charge of coolant gas
- checking the operating cycle
- cleaning and sanitizing the appliance

The frequency of cleaning and sanitizing operations can vary, depending on:

- temperature and environmental conditions
- temperature and quality of water (hardness, presence of grit, etc.)
- quantity of ice produced, or time of use of ice flaker
- periods of non-use of ice flaker

TO ENSURE CORRECT CLEANING AND SANITIZING OF THE APPLIANCE, PERFORM THE OPERATIONS DESCRIBED IN THIS MANUAL AT LEAST ONCE A MONTH.

IMPORTANT:

- the operations described in this manual must only be performed by skilled, authorized personnel
- the ice flaker must be installed in a hygienically clean location; avoid premises such as cellars and storerooms, because poor hygiene promotes formation and proliferation of bacteria in the ice flaker
- a cleaning and sanitizing kit specifically designed for this appliance is available from your dealer
- do not use corrosive substances to remove limescale from the appliance, because this will invalidate the guarantee, and may cause serious damage to the materials and components of the appliance
- gloves suitable to protect against cuts must be worn when performing all operations involving handling of sheet metal parts in particular
- gloves suitable to protect the skin against the substances used must be worn when performing all cleaning and sanitizing operations
- wear suitable goggles during cleaning and sanitizing operations to protect the eyes against splashes of the substances used
- take care not to spill water or solutions on the internal components of the appliance, the wiring or the power cable

10 CLEANING

1. switch off appliance and **disconnect from power supply mains**
2. close ice-making water supply tap (1 in Fig. 7), leaving the cooling water supply tap (if any) open (2 in Fig. 7)
3. prepare approximately 8 litres (2 gallons) of 25%-solution of water and white vinegar to be used to clean the appliance
4. remove top panel of appliance by loosening fixing screws (Fig. 8)
5. remove lid of water supply basin (Fig. 9)
6. connect appliance to power supply mains, and switch on by pressing luminous switch (3 in Fig. 4), removing front panel if necessary
7. pour the water and vinegar solution into the basin, taking care to keep the basin full

IMPORTANT:

An excessively low level in the basin causes the rotation sensor to operate and shut down the appliance. To restart the appliance, top up the basin and wait for 10 minutes, to allow time for the rotation sensor to enable its operation.

8. leave appliance running, topping up the level of solution in the basin until at least 4 litres (1 gallon) of solution have been used
9. open ice-making water supply tap (1 in Fig. 7) and leave appliance to operate for at least 5 minutes, without adding any solution to the basin
10. **discard all ice produced during cleaning operations**
11. prepare to perform the sanitizing operations described in the next chapter

11 SANITIZING

Use a solution in compliance with 40 C.F.R. 180.940, or a 200 mg/l solution of sodium hypochlorite and water (or a solution of ½ ounce of normal bleach to 1 gallon of water), or one of the solutions commonly used to disinfect babies' feeding bottles; in this case, check that the sanitizing product is:

- authorized by your Country's Ministry of Health
- suitable for use with food-making machinery
- not harmful to the materials and components of this appliance

For the directions for use and concentrations, please refer to those shown on the packaging and recommended by the manufacturer. We recommend using the solution at the temperature of 25°C.

WARNING:

Before connecting the appliance to the power supply mains, ensure that all cables and wiring of the appliance are perfectly dry.

1. prepare approximately 8 litres (2 gallons) of sanitizing solution to be used to sanitize the appliance

2. switch off appliance, **disconnect from power supply mains** and close ice-making water supply tap (1 in Fig. 7), leaving cooling water tap (if any) open (2 in Fig 7)
3. pour solution into basin, taking care to keep basin full

⚠ IMPORTANT:

An excessively low level in the basin causes operation of the rotation sensor, which shuts down the appliance. To restart apparatus, top up basin and wait for 10 minutes, to allow time for the rotation sensor to enable the operation

4. connect appliance to power supply mains, and switch on by pressing luminous switch (3 in Fig. 10)
5. leave appliance running, topping up the level of the solution in the basin until at least 4 litres (1 gallon) of solution have been used
6. open the ice-making water supply tap (1 in Fig. 7) and leave the appliance to operate for at least 5 minutes, without adding any solution to the basin
7. switch off appliance and **disconnect from power supply mains**
8. disconnect the micro-switch(es) from the ice maker wiring (Fig. 11) and extract the thermostat probe (4 in Fig. 11) from its seat in the ice chute, **taking care not to damage it**
9. remove micro-switch(es) from its/their seat(s), turning it/them counter-clockwise (Fig. 12)
10. remove the insulating cap (if any) from ice exhaust (Fig. 13)
11. remove (if any) the dual lock strip(s) (5 in Fig. 14) that secures the ice exhaust(s) (6 in Fig. 14) and evaporator(s)
12. remove ice exhaust(s) (6 in Fig. 14) and extract ice chute(s) (7 in Fig. 14) from its/their hole(s) in base plate
13. clean with common washing-up liquid the lid of water basin, the ice exhaust(s) (6 in Fig. 14) and the internal part of ice chute(s), **taking care not to damage the mechanism(s) inside ice exhaust(s) that operates micro-switch(es)**. Use a brush with soft bristles and a non-abrasive sponge to remove any sediments
14. clean with the same washing-up liquid the ice spout(s) (8 in Fig. 14) and the ice wiper (9 in Fig. 14), using a brush with soft bristles and a non-abrasive sponge to remove any sediments
15. rinse with plenty of cold water the ice spout(s) (8 in Fig. 14), the ice wiper (9 in Fig. 14), the lid of water basin, the internal part of ice chute(s) and ice exhaust(s) (6 in Fig. 14)
16. spray sanitizing solution on ice spout(s) (8 in Fig. 14) and on ice wiper (9 in Fig. 14) and let it work for at least 30 minutes
17. wipe the lid of water basin, the ice exhaust(s) (6 in Fig. 14) and the internal part of ice chute(s) with sanitizing solution
18. rinse with plenty of cold water the ice spout(s) (8 in Fig. 14) and ice wiper (9 in Fig. 14)
19. rinse with plenty of cold water and then dry carefully the lid of water basin, ice chute(s) (7 in Fig. 8) and ice exhaust(s) (6 in Fig. 14)
20. refit the insulating cap (if any) on ice exhaust (Fig. 13)
21. refit micro-switch(es) in its/their seat(s), turning it/them clockwise. **Check the mechanism(s) that operates micro-switch does push on the switch(es)**, otherwise slightly separate the mechanism(s) from micro-switch(es)
22. refit ice chute(s) (7 in Fig. 14), inserting it in its/their hole(s) in base plate
23. refit ice exhaust(s) (6 in Fig. 14) and, secure to the evaporator(s) with the dual lock strip(s) (5 in Fig. 14), if any
24. insert the thermostat probe (4 in Fig. 11) in its seat in ice chute, **taking care not to damage it**
25. refit the lid of water basin
26. connect micro-switch(es) to the ice maker wiring (Fig. 11)
27. **check that all cables and wiring of the appliance are perfectly dry**
28. refit all the panels of the appliance removed during cleaning and sanitizing operations and secure them with the fixing screws
29. **discard all ice produced during sanitizing operations**

The ice flaker can now be reactivated as specified in the instruction book.

⚠ IMPORTANT:

All the ice produced during the first 30 minutes after cleaning and sanitizing operations must be discarded.



When the appliance is cleaned and sanitized, its bin must also be cleaned and sanitized.

12 PERIODS AT A STANDSTILL

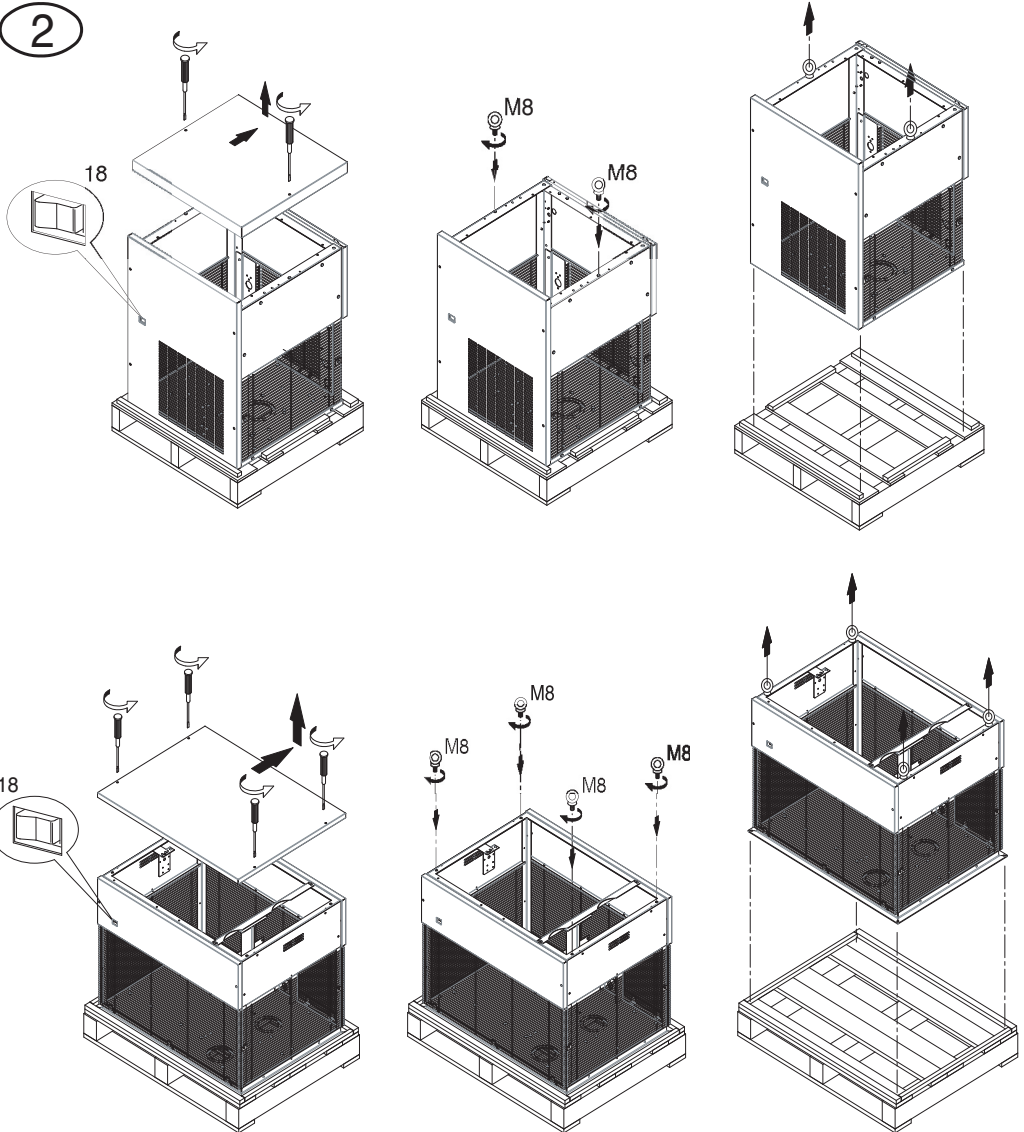
If you do not intend to use the appliance for a certain period of time, proceed as follows:

- switch off the electric power source by means of the switch (6 in Fig. 3), and remove the plug of the appliance from its socket (if any)
- shut off the water supply by turning off the water supply tap(s) (7 in Fig. 3)
- carry out all the operations envisaged for scheduled maintenance of the appliance (see chapter 9)
- clean filter of water supply solenoid valve as described in chapter 9.1
- clean filter of air condenser (if any) as described in chapter 9.2

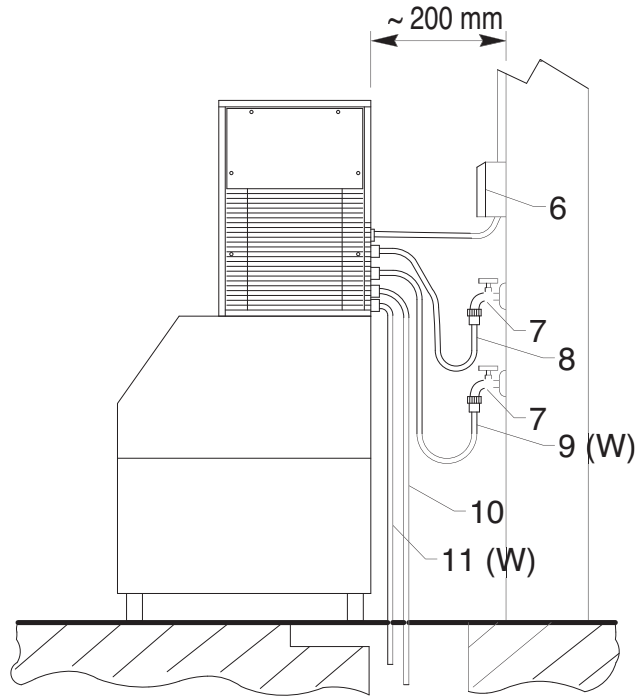
1

5	3	4	
Mod.		N.	
v.		w.	
1		2	
			

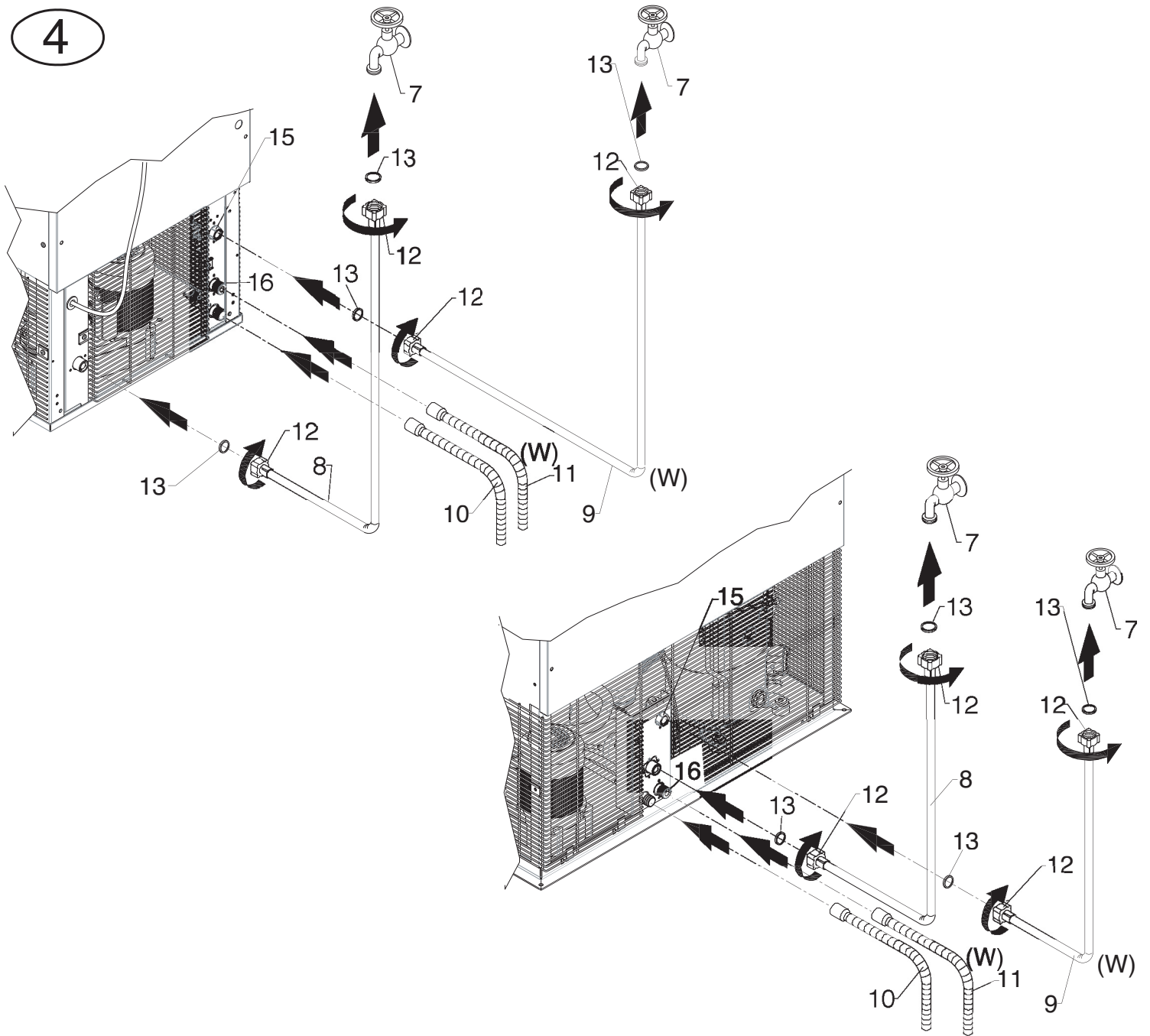
2



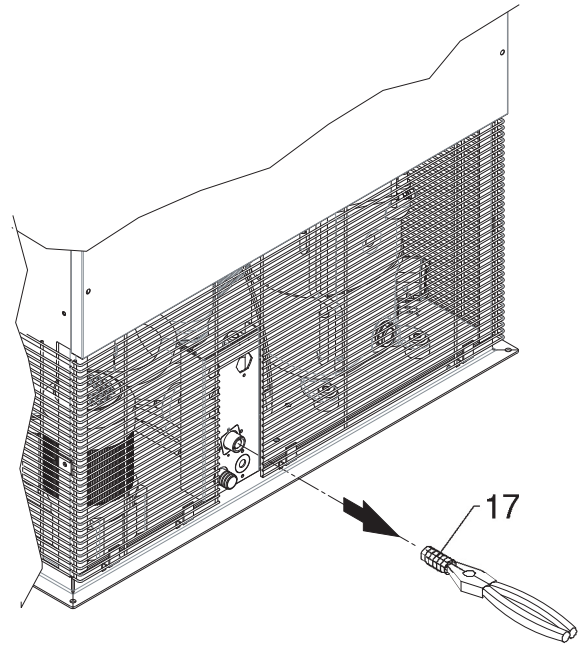
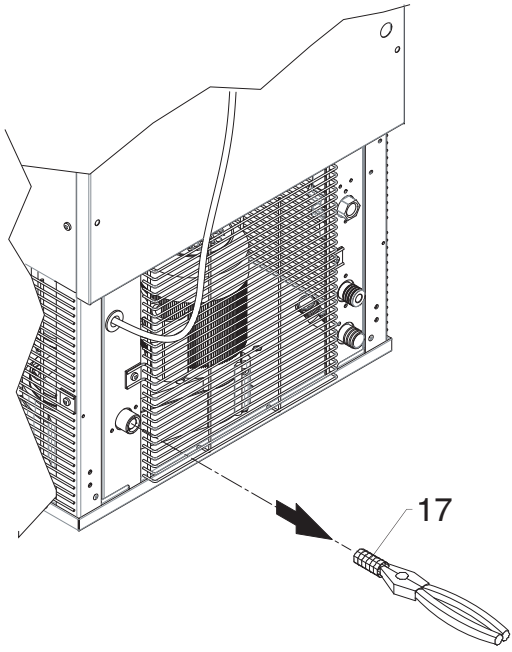
3



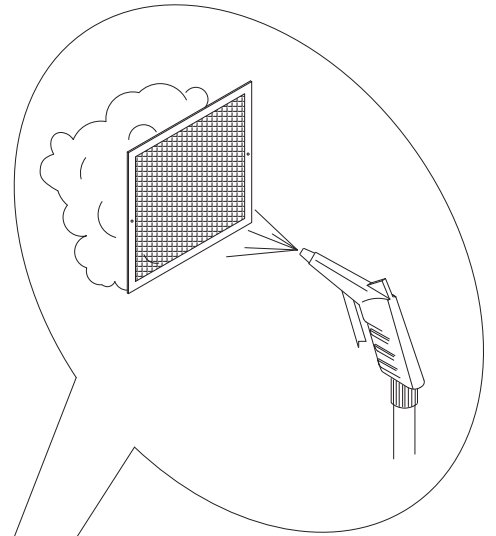
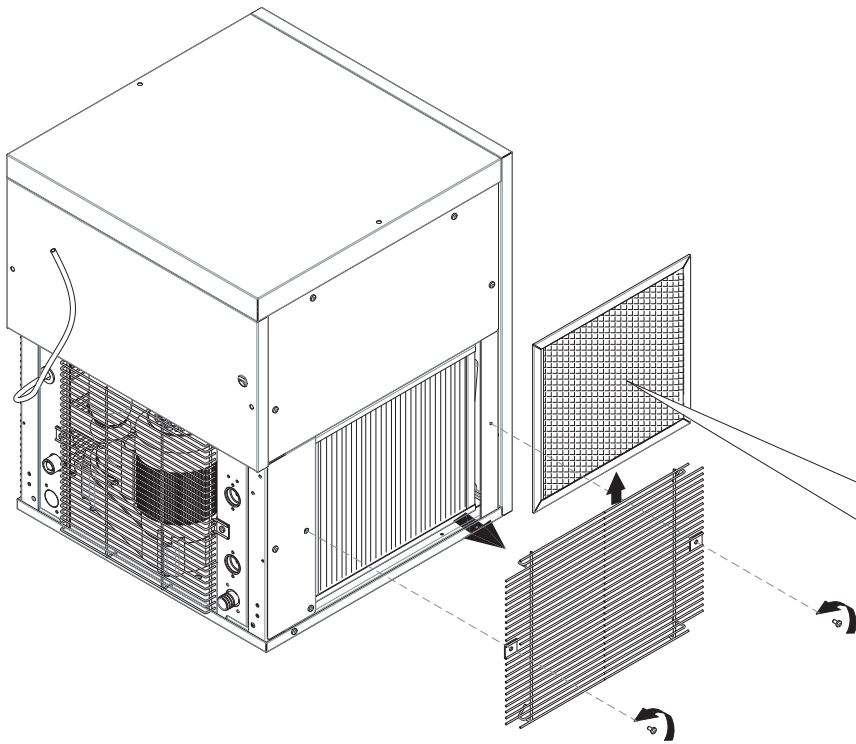
4



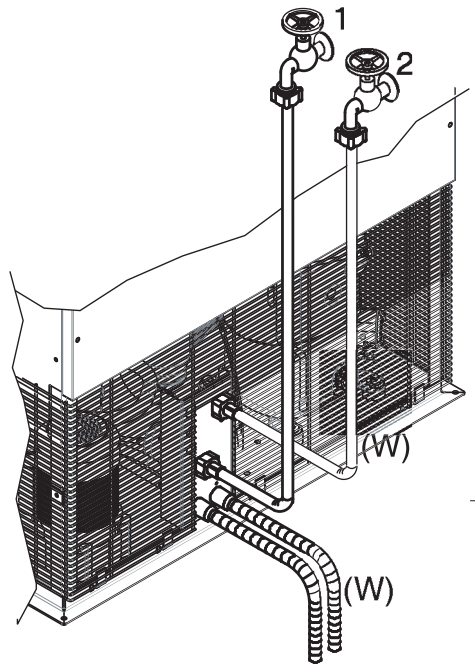
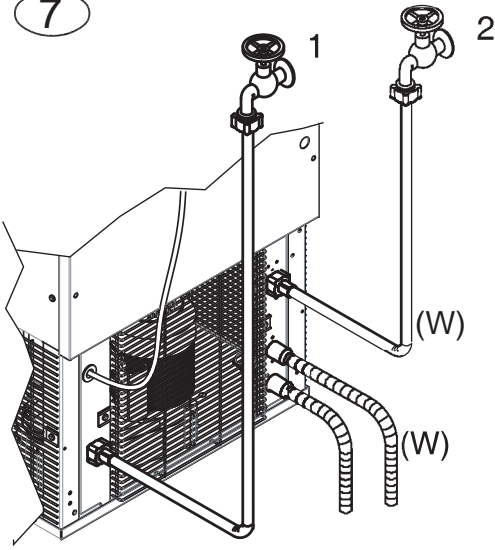
5



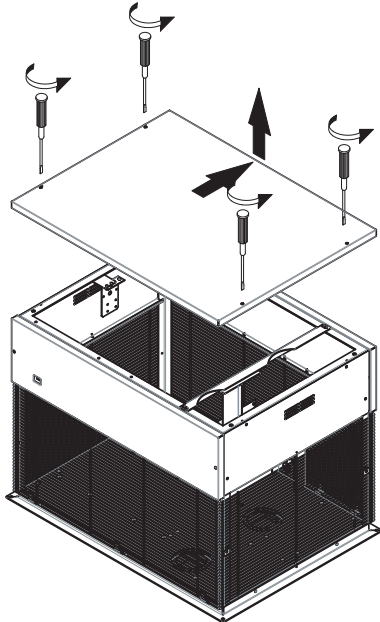
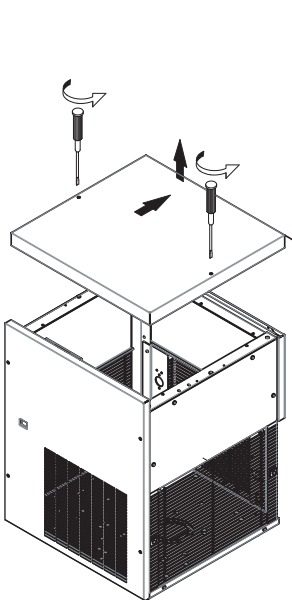
6



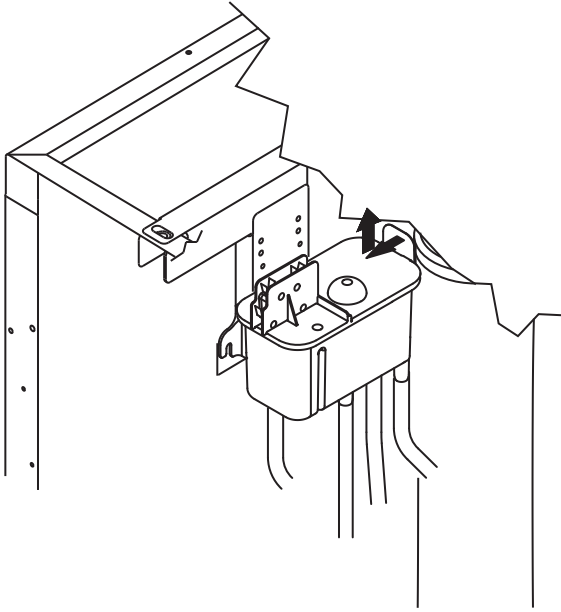
7



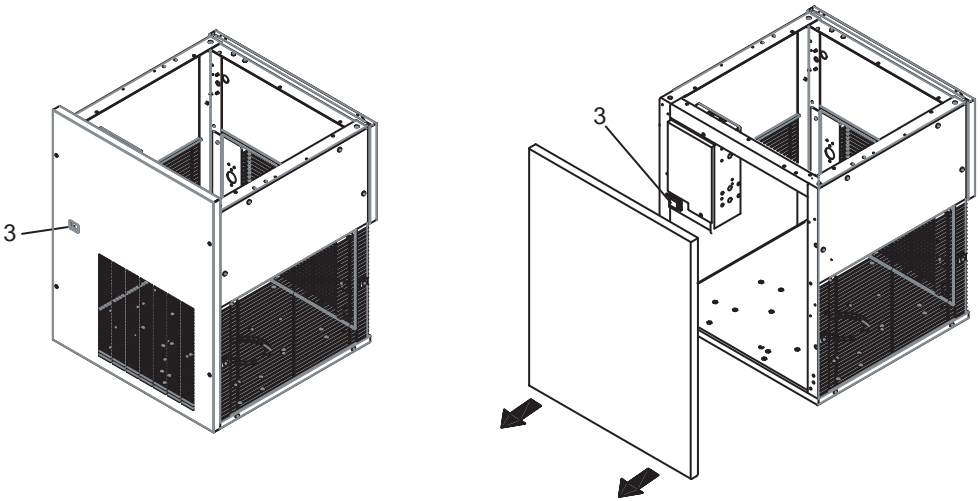
8



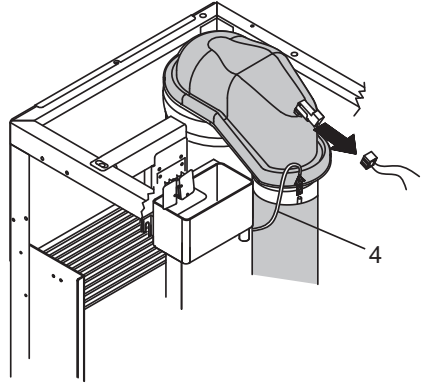
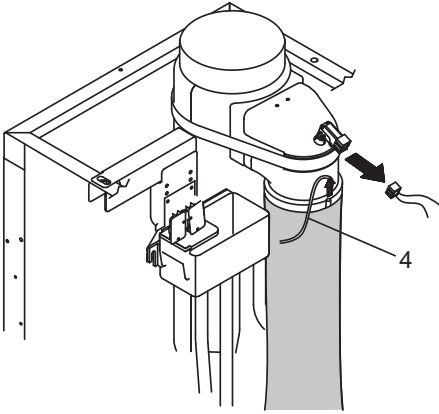
9



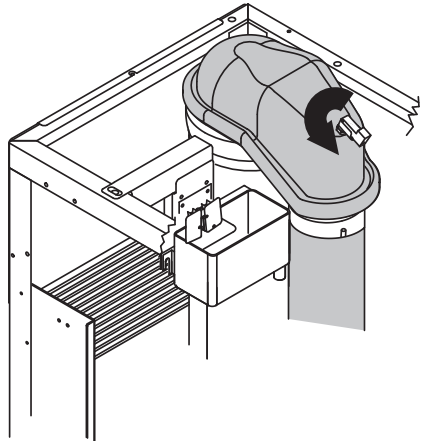
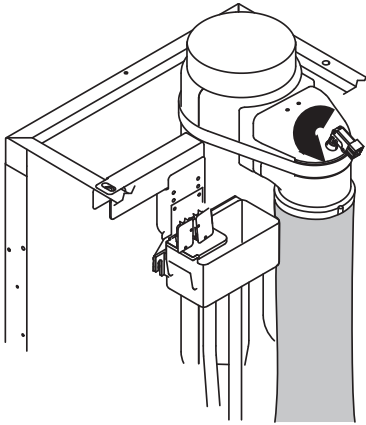
10



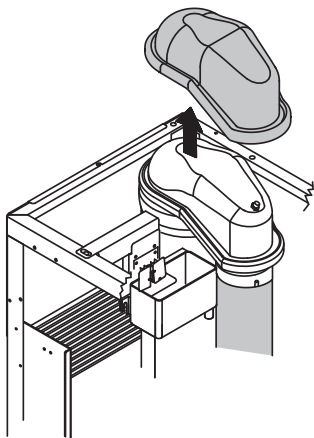
11



12



13



14

