

07/2012

Mod: E22/M100I8-N

Production code: 393118



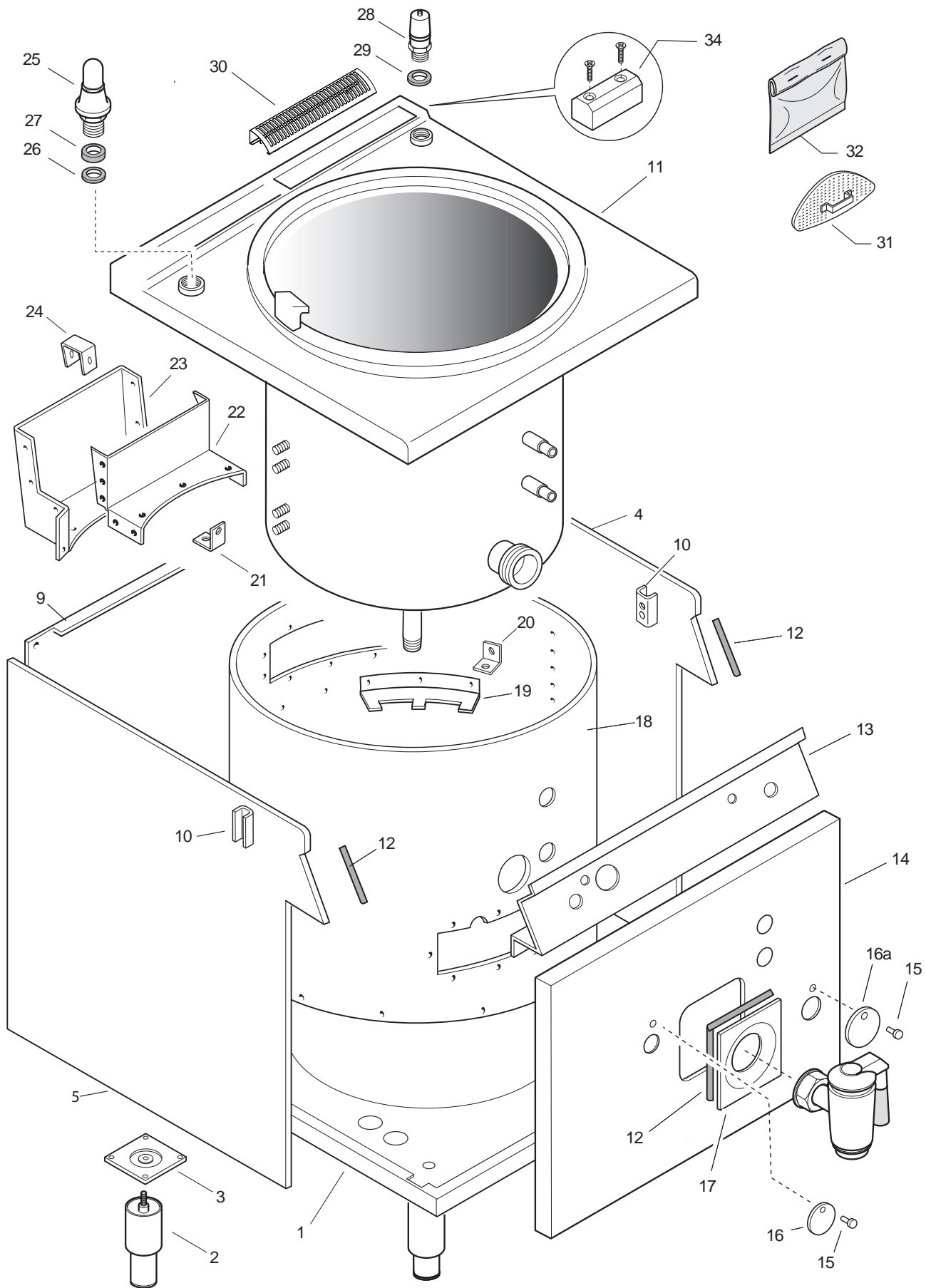
Diamond
catering equipment

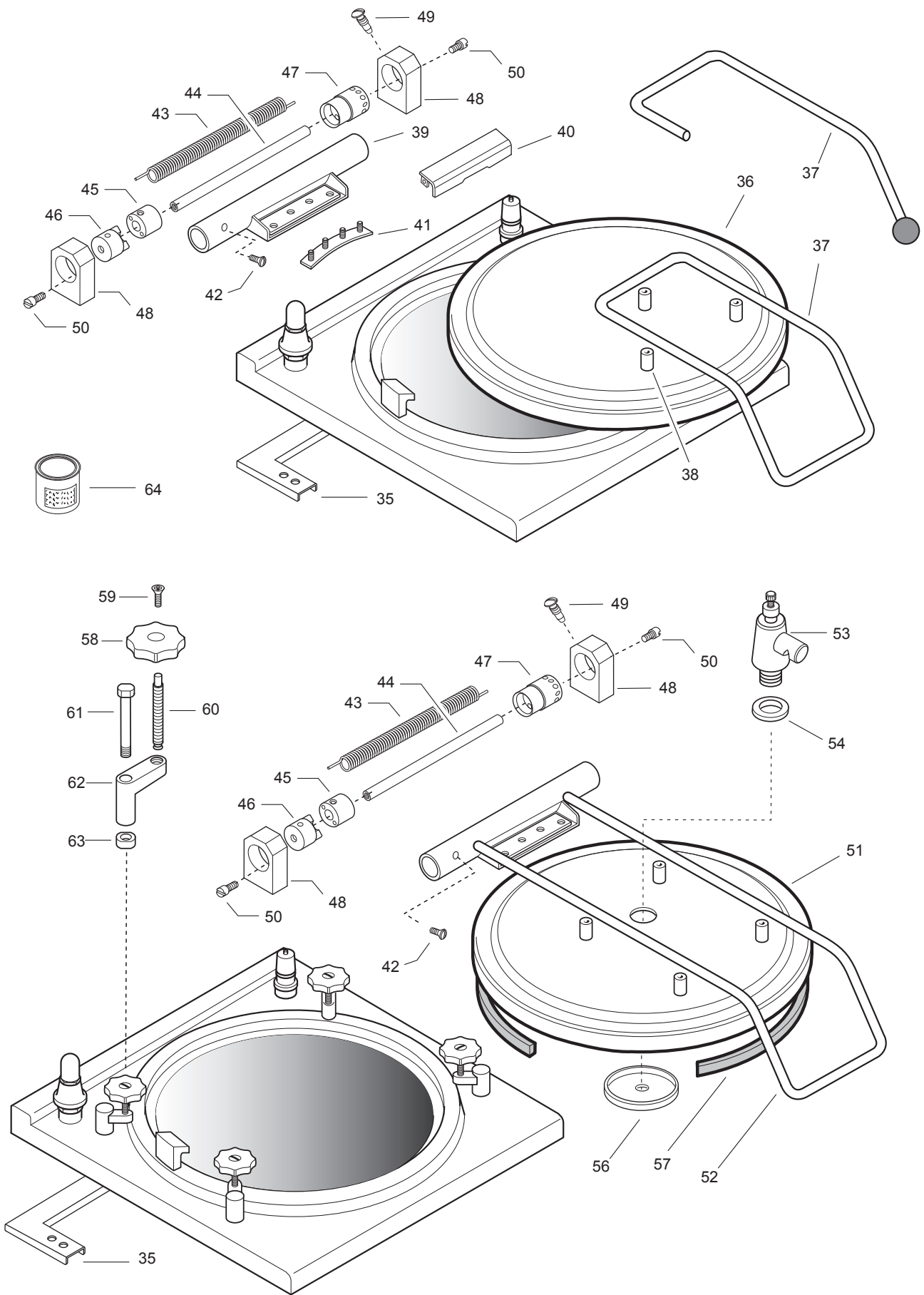
SPARE PARTS CATALOGUE
CATALOGO PARTI DI RICAMBIO
PENTOLE INDIRETTE 100/150Lt E900XP
BOILING PAN INDIRECT HEATING 100/150Lt E900XP

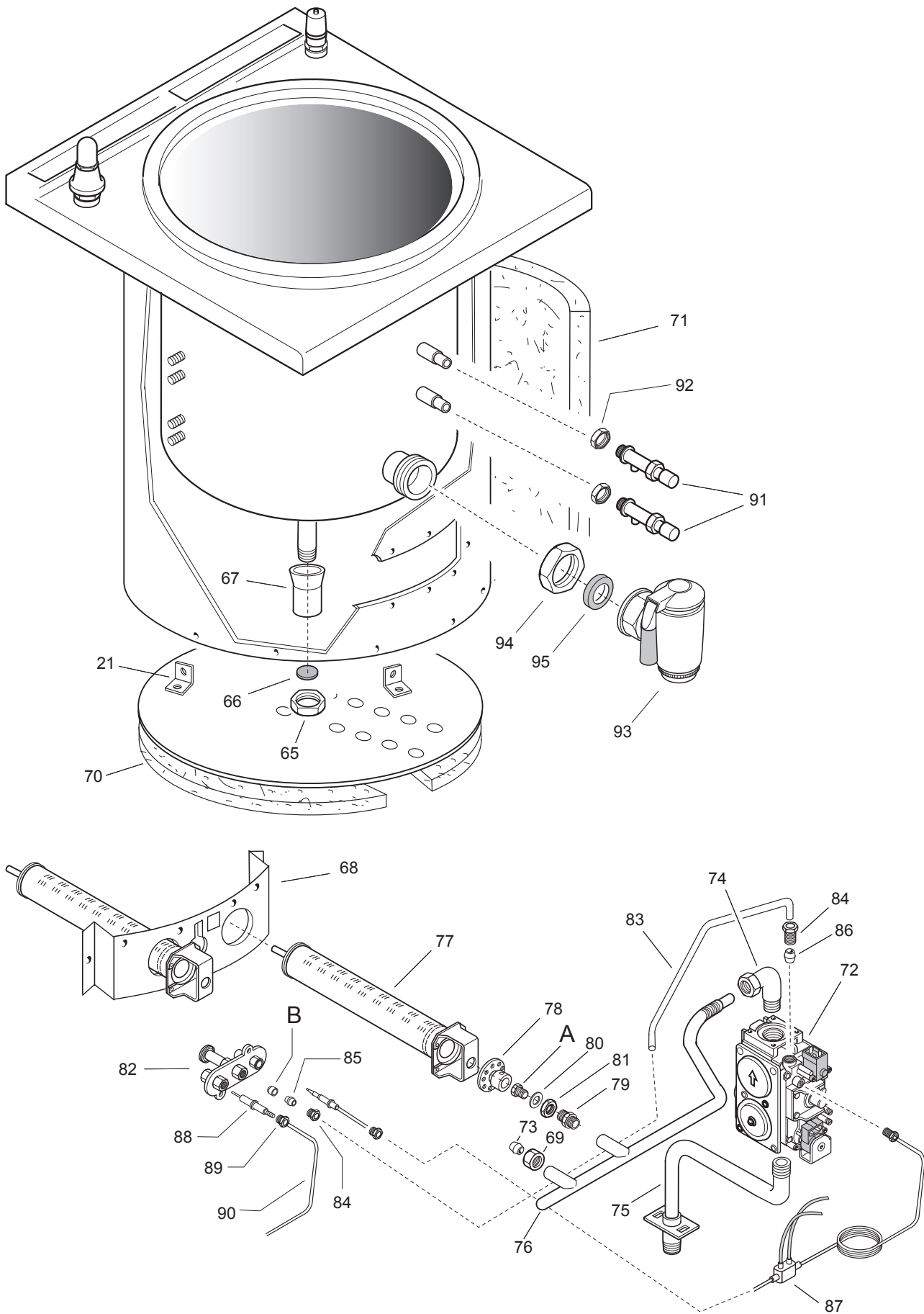
PNC	Model	Ref	Pag.	Brand	Version	Notes
391100	E9BSGHIPF0	a	2..8	ELX	GAS	80/100LT
391101	E9BSGHIPFR	c	2..8	ELX	GAS	80/100LT AUTOMATIC
391102	E9BSGHIRF0	b	2..8	ELX	GAS	100/150LT
391103	E9BSGHIRFR	d	2..8	ELX	GAS	100/150LT AUTOMATIC
391118	E9BSEHIPF0	e	2..8	ELX	EL	80/100LT
391119	E9BSEHIPFR	f	2..8	ELX	EL	80/100LT AUTOMATIC
391120	E9BSEHIRF0	g	2..8	ELX	EL	100/150LT
391121	E9BSEHIRFR	h	2..8	ELX	EL	100/150LT AUTOMATIC
392100	Z9BSGHIPF0	i	2..8	ZAN	GAS	80/100LT
392101	Z9BSGHIPFR	l	2..8	ZAN	GAS	80/100LT AUTOMATIC
392102	Z9BSGHIRF0	m	2..8	ZAN	GAS	100/150LT
392103	Z9BSGHIRFR	n	2..8	ZAN	GAS	100/150LT AUTOMATIC
392104	Z9BSGHIRFC	o	2..8	ZAN	GAS	100/150LT AUTOCLAVE
392118	Z9BSEHIPF0	p	2..8	ZAN	EL	80/100LT
392119	Z9BSEHIPFR	q	2..8	ZAN	EL	80/100LT AUTOMATIC
392120	Z9BSEHIRF0	r	2..8	ZAN	EL	100/150LT
392121	Z9BSEHIRFR	s	2..8	ZAN	EL	100/150LT AUTOMATIC
392122	Z9BSEHIRFC	t	2..8	ZAN	EL	100/150LT AUTOCLAVE
393100	A9BSGHIPF0	u	2..8	OEM	GAS	80/100LT
393101	A9BSGHIPFR	v	2..8	OEM	GAS	80/100LT AUTOMATIC.
393102	A9BSGHIRF0	z	2..8	OEM	GAS	100/150LT
393103	A9BSGHIRFR	A	2..8	OEM	GAS	100/150LT AUTOMATIC
393118	A9BSEHIPF0	B	2..8	OEM	EL	80/100LT
393119	A9BSEHIPFR	C	2..8	OEM	EL	80/100LT AUTOMATIC
393120	A9BSEHIRF0	D	2..8	OEM	EL	100/150LT
393121	A9BSEHIRFR	E	2..8	OEM	EL	100/150LT AUTOMATIC

Pag	Index	Indice	Note
2	General components	Componenti struttura	
3	Cover components	Componenti coperchio	
4	Gas components	Componenti Gas	
5	Pilot / Burner Nozzle	Tablelle ugelli	
6	Electric components	Componenti elettrici	
7	Automatic Components	Componenti carico auto	
8	Electric Components	Componenti Elewttrici	
9...12	pare parts list	Lista ricambi	

Brand/Marchio: All
Factory code: 9PDX



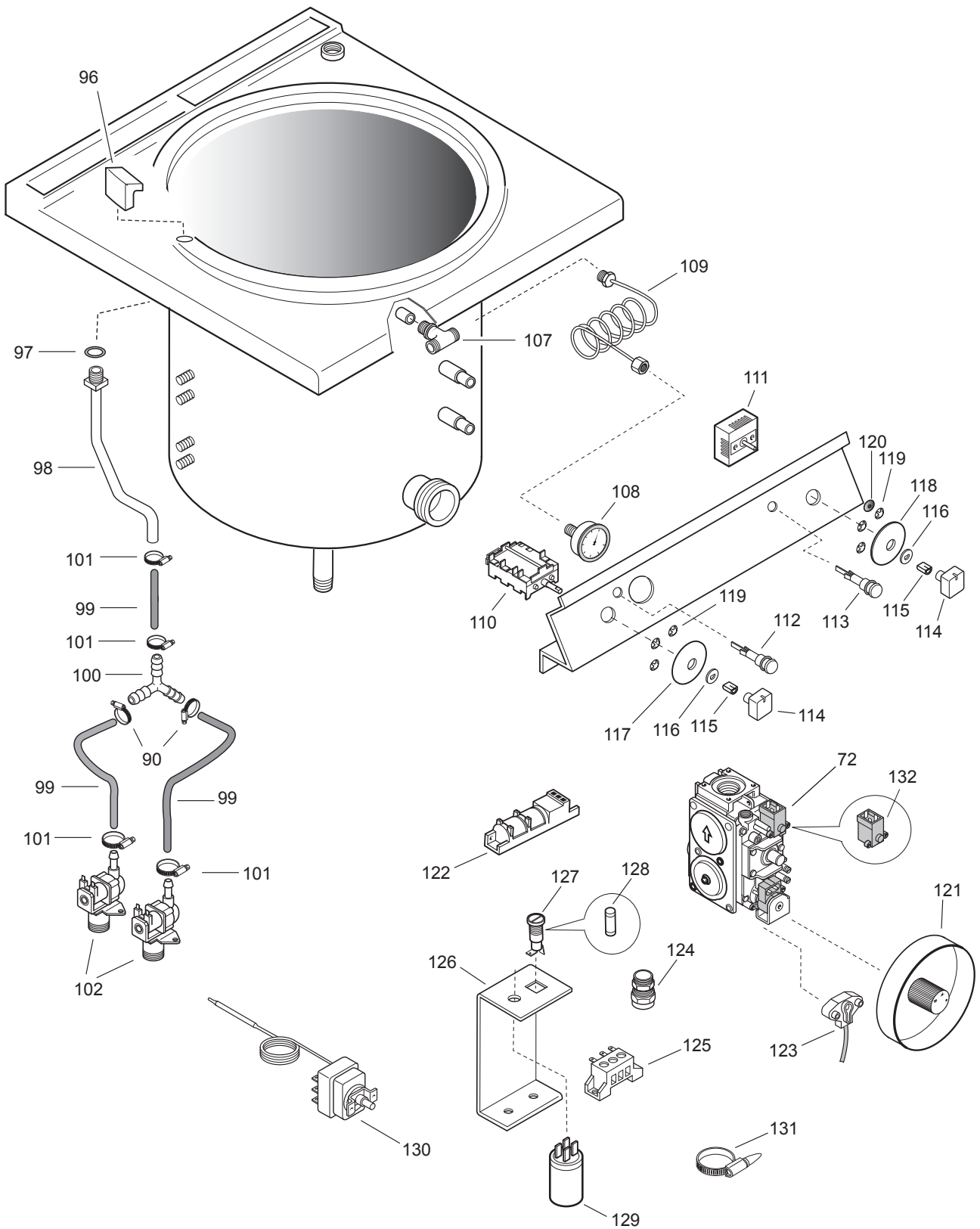


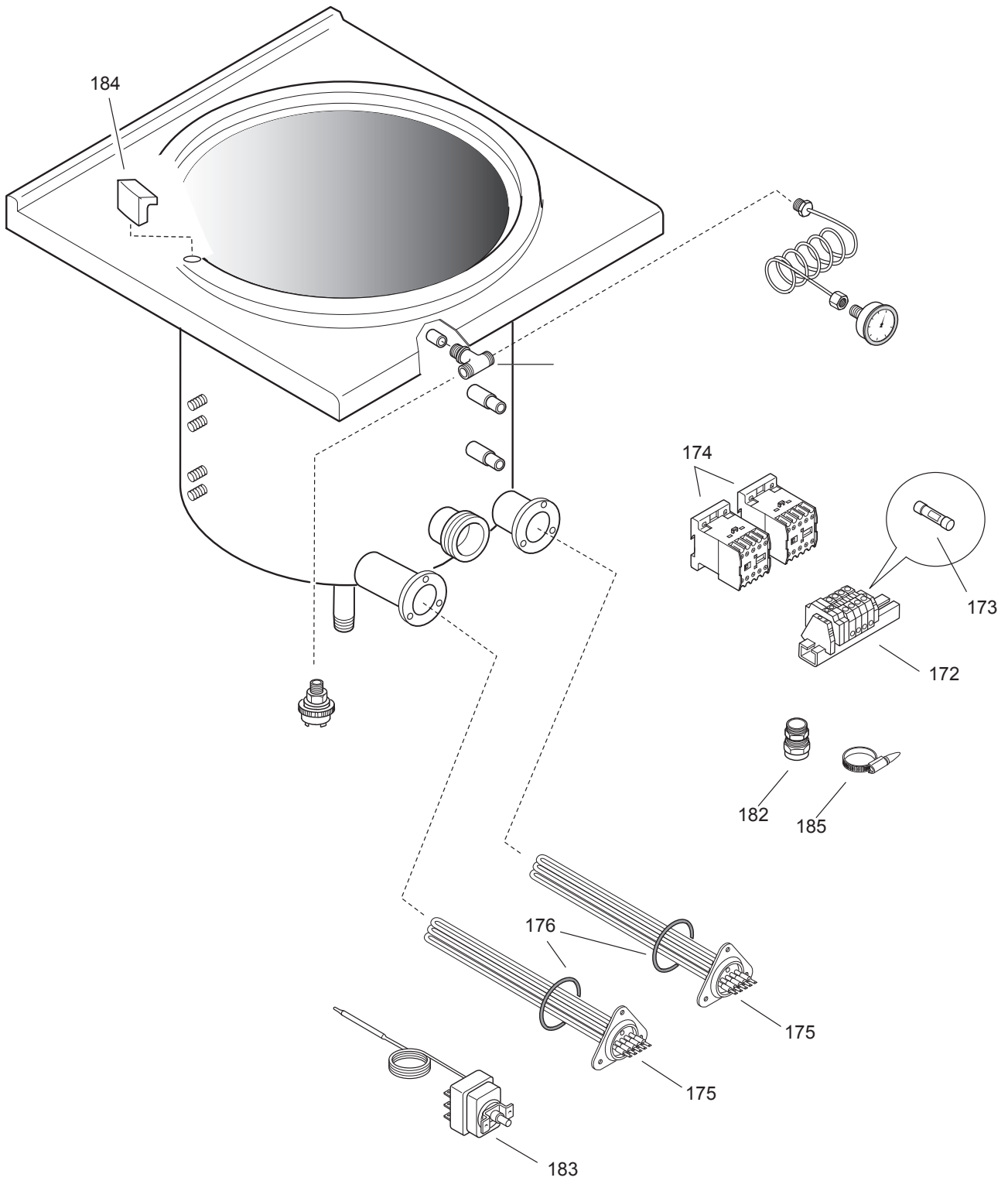


A - Ugello bruciatore / Burner nozzle 100LT			
6DGT Code	Ref. / Notes		
003722	∅ 1.55	3B/P	G30 36 mbar
056470	∅ 1.45	3B/P	G30 50 mbar
004727	∅ 2.35	2H	G20 25 mbar
002268	∅ 2.6	2L	G25 25mbar
0C0747	∅ 2.7	2ELL	G25 20 mbar
002268	∅ 2.6	2S	G25.1 25 mbar
054034	∅ 3	No CE	G20 10 mbar
056563	∅ 5	No CE	G110 8 mbar

A - Ugello bruciatore / Burner nozzle 150LT			
6DGT Code	Ref. / Notes		
054127	∅ 1.65	3B/P	G30 36 mbar
003722	∅ 1.55	3B/P	G30 50 mbar
02267	∅ 2.45	2H	G20 25 mbar
03371	∅ 2.75	2L	G25 25mbar
06419	∅ 2.9	2ELL	G25 20 mbar
03371	∅ 2.75	2S	G25.1 25 mbar
054084	∅ 3.2	No CE	G20 10 mbar
0C3706	∅ 5.3	No CE	G110 8 mbar
514862900	∅ 4.8	No CE	G120 8 mbar

B - Ugello pilota / Pilot nozzle			
6DGT Code	Ref./ Notes		
	n°30	3B/P	G30 36 mbar
	n°30	3B/P	G30 50 mbar
	n°41	2H	G20 25 mbar
	n°41	2L	G25 25mbar
	n°41	2ELL	G25 20 mbar
	n°41	2S	G25.1 25 mbar
	n°75	No CE	G20 10 mbar
	n°75	No CE	G110 8 mbar
	n°75	No CE	G120 8 mbar





PENTOLE GAS INDIRETTE 100/150Lt E900XP
GAS BOILING PAN INDIRECT HEATING 100/150Lt E900XP

Pos	Factory Code	6DGT Code	Descrizione	Description	Ref./Note
			Pagina 2	Page 2	
1	050489KA00	*	FONDO PENTOLA IND. GAS 100Lt	BOTTOM PANEL IND. BOIL.PAN 100Lt	100 lt
1	050489KB00	*	FONDO PENTOLA IND. GAS 150Lt	BOTTOM PANEL IND. BOIL.PAN 150Lt	150 lt
2	0835856900	0C0204	PIEDE	FOOT	
3	050589CD00	*	PIASTRA DI RINFORZO PER PIEDI	PLATE FOR FOOT	
4	085089JC00	*	FIANCO DESTRO	LEFT PANEL	ELX
4	085089JF00	*	FIANCO DESTRO	LEFT PANEL	ZAN, OEM
5	085089JD00	*	FIANCO SINISTRO	RIGHT PANEL	ELX
5	085089JG00	*	FIANCO SINISTRO	RIGHT PANEL	ZAN, OEM
6					
7					
8					
9	0538844801	*	SCHIENALE 800mm	REAR PANEL 800mm	
10	0527850500	0C0156	PIASTRA FISSAGGIO FIANCHI	SIDE PANEL JOINTING PLATE	
11	087089B700	0C7544	RIPIANO PENTOLA INDIR. 100Lt.	SHELF, IND. BOILING PAN 100Lt	ELX
11	087089B300	0C7540	RIPIANO PENTOLA INDIR. 150Lt.	SHELF, IND. BOILING PAN 150Lt	ELX
11	087089B801	0C7545	RIPIANO PENTOLA INDIR. 150Lt.	SHELF, IND. BOILING PAN 150Lt	ELX - Automatc
11	087089FL00	0C7547	RIPIANO PENTOLA INDIR. 100Lt.	SHELF, IND. BOILING PAN 100Lt	ZAN, OEM - GAS
11	087089FM00	0C7548	RIPIANO PENTOLA INDIR. 150Lt.	SHELF, IND. BOILING PAN 150Lt	ZAN, OEM - GAS
11	087089FN00	0C7549	RIPIANO PENTOLA IND. 150Lt.	SHELF, IND. BOILING PAN 150Lt	ZAN, OEM - GAS - Autoclave
11	087089FT00	0C7554	RIPIANO PENTOLA INDIR. 100Lt.	SHELF, IND. BOILING PAN 100Lt	ZAN, OEM - EL
11	087089FV00	0C7556	RIPIANO PENTOLA INDIR. 150Lt.	SHELF, IND. BOILING PAN 150Lt	ZAN, OEM - EL
11	087089FW00	0C7557	RIPIANO PENTOLA IND. 150Lt.	SHELF, IND. BOILING PAN 150Lt	ZAN, OEM - EL - Autoclave
12	0543821900	0C2496	GUARNIZIONE PER CRUSCOTTO	GASKET, CONTROL PANEL	
13	085089BQ00	0C7535	CRUSCOTTO	CONTROL PANEL	ELX
13	087089GW00	0C7559	CRUSCOTTO	CONTROL PANEL	ZAN
13	050389PS00	*	CRUSCOTTO	CONTROL PANEL	OEM
14	050389XV00	0C8057	PANNELLO FRONTALE 100 L	FRONT PANEL BOIL.PAN 100Lt	ELX - 100 lt - GAS
14	050389XX00	0C8055	PANNELLO FRONTALE 100 L	FRONT PANEL BOIL.PAN 100Lt	ELX - 100 lt - EL
14	050389Y100	0C7805	PANNELLO FRONTALE 100 L	FRONT PANEL BOIL.PAN 100Lt	ZAN, OEM - 100lt - GAS
14	050389Y300	0C7807	PANNELLO FRONTALE 100 L	FRONT PANEL BOIL.PAN 100Lt	ZAN, OEM - 100 lt - EL
14	050389XW00	0C8056	PANNELLO FRONTALE 150 L	FRONT PANEL BOIL.PAN 150Lt	ELX - 150 lt - GAS
14	050389XY00	0C8054	PANNELLO FRONTALE 150 L	FRONT PANEL BOIL.PAN 150Lt	ELX - 150 lt - EL
14	050389Y200	0C7804	PANNELLO FRONTALE 150 L	FRONT PANEL BOIL.PAN 150Lt	ZAN, OEM - 150lt - GAS
14	050389Y400	0C7808	PANNELLO FRONTALE 150 L	FRONT PANEL BOIL.PAN 150Lt	ZAN, OEM - 150 lt - EL
15	0214473001	026187	PERNO FISSAGGIO SPORTELLINO	PIN, FIXING DOOR	
16	0508837201	002534	SPORTELLINO, FORO D'ISPEZIONE	DOOR, INSPECTION HOLE	
16a	0527843000	*	SPORTELLINO, VALVOLA GAS	DOOR, GAS VALVE	
17	0529845500	0C0709	PANNELLINO RUBINETTONE	PANEL FOR DRAIN TAPE	Not Autoclave
18	0524882302	0C0740	TAMBURO FUMI 100Lt.	CYLINDER, COMBUSTION 100Lt	100 lt
18	0524882102	0C0741	TAMBURO FUMI 150Lt.	CYLINDER, COMBUSTION 150Lt	150 lt
19	0528820303	*	ANELLO CHIUSURA FUMI	RING	
20	0527839601	*	SQUADRETTA X ANELLO FUMI	BRACKET, RING	
21	0508818601	0C0814	SQUADRETTA SUPPORTO CAMINO	BRACKET, CHIMNEY FIXING	
22	0524884703	*	ELEMENTO ANT. CAMINO 100Lt	FRONT WALL CHIMNEY 100Lt	100 lt
22	0524882802	*	ELEMENTO ANT. CAMINO 150Lt	FRONT WALL CHIMNEY 150Lt	150 lt
23	0524884802	*	ELEMENTO POST. CAMINO 100Lt	BACK WALL CHIMNEY 100Lt	100 lt
23	0524882901	*	ELEMENTO POST. CAMINO 150Lt	BACK WALL CHIMNEY 150Lt	150 lt
24	0527841202	*	DISTANZIALE PER CAMINO	SPACER FOR CHIMNEY	
25	0835817102	56691	VALVOLA DI SICUREZZA	SAFETY VALVE	
26	0282218301	51553	GUARNIZIONE	GASKET, SAFETY VALVE	
27	0514895803	0C0710	RACCORDO	CONNECTION, SAFETY VALVE	
28	0335239101	51566	VALVOLA DEPRESSIONE	DEPRESSION VALVE	
29	0246005123	60597	GUARNIZIONE	GASKET, DEPRESSION VALVE	
30	050389LP00	0C7333	GRIGLIA PER CAMINO	GRID FOR CHIMNEY	ELX

PENTOLE GAS INDIRETTE 100/150Lt E900XP
GAS BOILING PAN INDIRECT HEATING 100/150Lt E900XP

Pos	Factory Code	6DGT Code	Descrizione	Description	Ref./Note
30	0538841900	0C5624	GRIGLIA PER CAMINO	GRID FOR CHIMNEY	ZAN, OEM
31	0310122725	27114	GRIGLIA DI SCARICO	DRAIN GRID	
32	0858800100	6101	KIT ANTI-CORROSIONE	ANTICORROSIVE KIT	
33					
34	0516860700	0C0137	PIASTRINA PER GIUNZIONE	JOINTING REAR PLATE	
			Pagina 3	Page 3	
35	0800833300	0C0713	RINFORZO PER CERNIERA	REINFORCEMENT, HINGE	NOT AUTOCLAVE
36	0873838100	0C0714	COPERCHIO PENTOLA	LID, BOILING PAN	NOT AUTOCLAVE
37	0517876500	0C0691	MANIGLIA PENTOLA	HANDLE, LID	NOT AUTOCLAVE
38	0517856900	004468	DISTANZIALE PER MANIGLIA	SPACER FOR HANDLE	
38°	0217223605	0C0950	VITE PER DISTANZIALE	SCREW, SPACER	
39	0800814505	006181	SUPPORTO COPERCHIO	SUPPORT, LID	NOT AUTOCLAVE
40	0800823302	006926	COPERTURA SUPPORTO	COVERING, SUPPORT	NOT AUTOCLAVE
41	0805878802	006925	RINFORZO COPERCHIO	REINFORCEMENT, LID	NOT AUTOCLAVE
42	0217224125	0C2776	VITE FERMO MOLLA / CERNIERA	SCREW, SPRING LOCK	NOT AUTOCLAVE
43	0514894501	059518	MOLLA	SPRING	NOT AUTOCLAVE
43	0516804700	002981	MOLLA	SPRING	AUTOCLAVE
44	0514894802	059862	ASSE PER CERNIERA	PIN, HINGE	NOT AUTOCLAVE
45	0516804500	002982	FERMO PER MOLLA	LOCK, SPRING	
46	0514894303	059864	BLOCCO CERNIERA	LOCK, HINGE	
47	0516804600	002983	BLOCCO REGOLAZIONE MOLLA	LOCKNUT, ADJUSTING SPRING	
48	0514894602	002944	SUPPORTO CERNIERA	SUPPORT, HINGE	
49	0514895002	059859	VITE PER SUPPORTO CERNIERA	SCREW, SUPPORT HINGE	
50	0514894701	059860	VITE PER ASSE CERNIERA	SCREW, PIN HINGE	
51	0874849404	059866	COPERCHIO AUTOCLAVE	LID, AUTOCLAVE BOILING PAN	AUTOCLAVE
52	0831807501	0C0742	MANIGLIA COPERCHIO AUTOCLAVE	HANDLE, LID AUTOCLAVE	AUTOCLAVE
53	0835801801	052623	VALVOLA SCARICO FUMANA	SAFETY VAVLE	AUTOCLAVE
54	0246173500	027300	GUARNIZIONE PER VALVOLA	GASKET	
55					
56	0204751901	025220	CALOTTA PER VALVOLA	CAP, VALVE DRAIN	AUTOCLAVE
57	0569805200	*	GUARNIZIONE COPERCHIO	GASKET, LID	AUTOCLAVE
58	0315280901	010142	VOLANTINO	HANDWHEEL	AUTOCLAVE
59	0214063000	010147	VITE VOLANTINO	SCREW, HANDWHEEL	AUTOCLAVE
60	0514802301	052616	PERNO	PIN	AUTOCLAVE
61	0514802001	052614	VITE FISSAGGIO COPERCHIO	SCREW, FIXING TO LID	AUTOCLAVE
62	0511800201	052612	BRACCIO ROTANTE	ROTATING ARM	AUTOCLAVE
63	0514802201	052615	GHIERA	RING NUT	AUTOCLAVE
64	0167098086	003363	GRASSO PER PERNO COPERCHIO	GREASE FOR LID	
			Pagina 4	Page 4	
65	0514872501	0C0705	DADO CIECO 3/4" SCARICO INTERC.	CAP NUT 3/4" DRAIN INTERSPACE	
66	0543817900	002869	GUARNIZIONE SCARICO INTERCAP.	GASKET, DRAIN INTERSPACE	
67	0806823000	*	TUBO ISOLAMENTO SCARICO INTER.	INSULATION PIPE, DRAIN INTERSP.	
68	0529845202	*	SUPPORTO BRUC.-PILOTA	SUPPORT BURNER - PILOT	
69	0214108111	041155	DADO, RIBALTA	NUT	
70	0560841401	*	ISOLAMENTO FONDO	BOTTOM INSULATION	
71	0560841102	*	ISOLAMENTO PENTOLA 100Lt	INSULATION BOILING PAN 100Lt	100 lt
71	0560841002	0C5123	ISOLAMENTO PENTOLA 150Lt	INSULATION BOILING PAN 150Lt	150 lt
72	0835819901	002903	VALVOLA GAS	GAS VALVE	
73	0215073101	060325	BICONO	DOUBLE CONE	
74	0517866200	006622	RACCORDO A "L" 18 - 1/2, RIBALTA	NIPPLE, 1/2" DIAM. 18, PIPE	
75	0805899H03	0C6379	TUBO ENTRATA GAS	INLET PIPE, GAS	
76	0805899L01	0C6378	RIBALTA 100Lt	PIPE , GAS VALVE - BURNER 100Lt	100 lt
76	0805899J02	0C6366	RIBALTA 150Lt	PIPE , GAS VALVE - BURNER 150Lt	150 lt
77	0830894702	0C0743	BRUCIATORE	BURNER	
78	0830828001	054039	AREATORE REGOLAZIONE ARIA	AERATOR	

PENTOLE GAS INDIRETTE 100/150Lt E900XP
GAS BOILING PAN INDIRECT HEATING 100/150Lt E900XP

Pos	Factory Code	6DGT Code	Descrizione	Description	Ref./Note
79	0514829700	054118	PORTAUGELLO	NOZZLE HOLDER	
80	0506833401	054029	GUARNIZIONE UGELLO	GASKET, NOZZLE	
81	0214105101	020997	CONTRODADO PORTAUGELLO	LOCK NUT, NOZZLE HOLDER	
82	0830897501	0C0744	PILOTA	PILOT	
83	0517875202	0C0745	CONDUTTURA PILOTA 100Lt	PILOT PIPE 100Lt	100 lt
83	0517875102	0C0746	CONDUTTURA PILOTA 150Lt	PILOT PIPE 150Lt	150 lt
84	0214164400	052125	RACCORDO M10X1 DIAM 4	NIPPLE, M10X1 DIAM 4	
85	0215199700	052127	BICONO SPEC.DA 4	BICONICAL RING, DIAM.4	
86	0515827401	053665	BICONO DIAM.4	BICONICAL RING, DIAM.4	
87	0831818901	0C3162	TERMOCOPPIA INTERROTTA	THERMOCOUPLE INT.	
88	0330272401	052610	ELETTRODO DI ACCENSIONE	ELECTRODE, IGNITION	
89	0214164101	057960	RACCORDO FISS. CANDELA	NIPPLE, ELECTRODE	
90					
91	0835866201	0C1450	RUBINETTO DI LIVELLO	TAP, LEVEL JACKET	
92	0516875001	0C1451	BORCHIETTA PER RUBINETTO	FIXING RING, TAP	
93	0856841701	0S0950	BOCCHETTONE SCARICO	DRAIN TAP	
94	0516861001	0C0716	CONTRODADO PER RUBINETTONE	LOCK NUT, DRAIN TAPE	
95	0246003513	20279	GUARNIZIONE	GASKET, DRAIN TAPE	
			Pagina 6	Page 6	
96	0211794613	051521	EROGATORE ACQUA	WATER DISTRIBUTOR	
97	0543800600	052779	GUARNIZIONE OR	OR GASKET, WATER DISTRIB.	
98	0830896400	0C6107	CONDUTTURA CARICO ACQUA	PIPE, DISTRIBUTOR	
99	0140068008	002707	TUBO GOMMA CORAZZATO	FEEDING PIPE	
100	0544615700	047431	RACCORDO A Y	CONNECTION Y	
101	0835823600	*	FASCETTA	HOSE CLAMP	
102	0696805700	0C3254	ELETTROVALVOLA	MAGNETIC VALVE	
103	0646815500	0C4083	PRESSOSTATO	PRESSURE SWITCH	
104	0696805000	0C0938	ELETTROVALVOLA	MAGNETIC VALVE	
105					
106					
107	0511820700	0C1449	RACCORDO T	CONNECTION T	
108	0830895600	0C0712	MANOMETRO	MANOMETER	
109	0830866802	59521	CAPILLARE PER MANOMETRO	CAPILLARY, MANOMETER	
110	0641802400	59544	COMMUTATORE 4 POSIZIONI	SWITCH 4 POS.	
111	0699802200	55016	REGOLATORE DI ENERGIA	ENERGY REGULATOR	
112	0876800201	0C0687	LAMPADA ROSSA	RED LAMP	
113	0876800002	5010	LAMPADA VERDE	GREEN LAMP	
114	0511850G01	0C6670	MANOPOLA	KNOB	ELX
*	0548877V00	0C7345	ADATTATORE MANOPOLA	KNOB ADAPTER	ELX
114	0548864302	0C3218	MANOPOLA PER VALVOLA GAS	KNOB FOR GAS VALVE	ELX
114	0548856800	0C0257	MANOPOLA	KNOB	ZAN
114	0548864302	0C3218	MANOPOLA PER VALVOLA GAS	KNOB FOR GAS VALVE	ZAN
114	0548865500	0A5621	MANOPOLA	KNOB	OEM
114	0548864302	0C3218	MANOPOLA PER VALVOLA GAS	KNOB FOR GAS VALVE	OEM
115	0214590701	25245	MOLLETTA PER MANOPOLA	SPRING, KNOB	
116	0543821000	53816	GUARNIZIONE PER MANOPOLA	GASKET, KNOB	
117	0548877B00	0C7526	GHIERA CARICO ACQUA	KNOB RING, WATER REFILL	ELX
117	0548863601	0C0711	GHIERA CARICO ACQUA	KNOB RING, WATER REFILL	ZAN, OEM
118	0548877T00	0C7344	GHIERA REGOLATORE DI ENERGIA	KNOB RING, ENERGY REGULATOR	ELX
118	0548859001	0C0318	GHIERA REGOLATORE DI ENERGIA	KNOB RING, ENERGY REGULATOR	ZAN, OEM
119	0218912211	69567	MOLLETTA PER GHIERA	SPRING, KNOB RING	
120	0543821000	053816	GUARNIZIONE MANOPOLA	GUARNIZIONE MANOPOLA	
121	0548864302	0C3218	PROLUNGA MANOPOLA VALVOLA	KNOB EXTENSION, GAS VALVE	GAS
122	0624804700	4240	ACCENDITORE	LIGHTER	GAS
123	0830831400	54539	CONSENSO ACC. VALVOLA	MICRO VALVE	GAS
124	0544802200	*	PRESSACAVO	TOGHTENER CORD	GAS
125	0639804900	46357	MORSETTIERA	MAIN TERMINAL	GAS

PENTOLE GAS INDIRETTE 100/150Lt E900XP
GAS BOILING PAN INDIRECT HEATING 100/150Lt E900XP

Pos	Factory Code	6DGT Code	Descrizione	Description	Ref./Note
126	0527842300	*	SUPPORTO MORSETTIERA	SUPPORT MAIN TERMINAL	GAS
127	0652800401	56582	PORTAFUSIBILE	HOLDER, FUSE	GAS
128	0452140500	57783	FUSIBILE 4A 250V	FUSE, 4A 250V	GAS
129	0694601000	46217	FILTRO ANTIDISTURBO	FILTER	GAS
130	0646813200	0C0999	TERMOSTATO DI SICUREZZA	SAFETY THERMOSTAT	GAS
131	0639810200	0C0717	FASCETTA PER FISS. CAVO ALIM.	HOSE CLAMP, FIXING CABLE	GAS
132	-	0K3020	BOBINA VALV. SIT 220/240V 50HZ	COIL GAS VALVE SIT 220/240V 50HZ	GAS
			Pagina 7	Page 6	
133	0646815500	0C4083	PRESSOSTATO	PRESSURE SWITCH	
134	0527860900	*	SUPPORTO PRESSOSTATO / GICAR	SUPPORT, PRESSURE SWITCH/GICAR	
135	0517887301	*	CONDUTTURA PRESSOSTATO	PIPE, PRESSURE SWITCH	
136	0515863500	0C0888	RACCORDO	NIPPLE	
137	*	*	BICONO DI TENUTA DIAM.6	BICONICAL RING DIAM.6	
138	0511820700	0C1449	RACCORDO T	"T" UNION PIPE	
139	0517881200	0C4455	RACCORDO A RESCA	NIPPLE	
140	0835825500	058258	VALVOLA DI RITEGNO	NON RETURN VALVE	
141	0511819600	*	RIDUZIONE	REDUCTION UNION PIPE	
142	0517887001	0C0936	CONDUTTURA ELETTR.-LIVELLO MAX	PIPE, MAGN.VALVE - MAX LEVEL	
143	0511819700	0C5396	RACCORDO A L	"L" UNION PIPE	
144	0511819900	*	TAPPO	TAP, MIN LEVEL	80/100LT AUTOM.
145	0831812100	0C0940	BOTTIGLIA CONTROLLO DI LIVELLO	BOTTLE, CONTROL LEVEL	
146	0831812900	0C1564	SONDA H60	PROBE H60	80/100LT AUTOM.
146	0831812000	0C0939	SONDA H175	PROBE H175	100/150LT AUTOM.
147	0516873100	0C5234	DISTANZIALE	SPACER	
148	0517887202	0C0935	CONDUTTURA SFIATO BOTTIGLIA	PIPE, BOTTLE	
149	0517887701	0C1565	CONDUTTURA LIVELLO INF. 100Lt	PIPE, DRAIN JACKET - BOTTLE 100Lt	80/100LT AUTOM.
149	0517887102	0C0941	CONDUTTURA LIVELLO MIN- BOTT.150Lt	PIPE, MIN LEVEL - BOTTLE 150Lt	100/150LT AUTOM.
150	0230803004	*	TAPPO 1/2"	TAP 1/2"	80/100LT AUTOM.
151	0230134304	*	GOMITO	UNION ELBOW	80/100LT AUTOM.
152	0646813400	0C0937	REGOLATORE DI LIVELLO GICAR	GICAR, LEVER REGULATOR	
153	0511818100	0C1040	"t"	"T" UNION PIPE	80/100LT AUTOM
154	0511820000	*	NIPPLO	NIPPLE	
			Pagina 8	Page 8	
172	0639805301	058608	MORSETTIERA PORTAFUSIBILE	MAIN TERMINAL	EL
173	0452140500	057783	FUSIBILE AUSILIARIO 4 A-250 V.	FUSE 4A - 250V	EL
174	0648807700	007080	CONTATTORE	CONTACTOR	EL
175	0617839800	0C6470	RESISTENZA 10.75KW 230V	HEATING ELEMENT 10.75kW 230V	EL
176	0543800700	046213	GUARNIZIONE PER RESISTENZA	GASKET, HEATING ELEMENT	EL
182	0544802400	0C3528	PRESSACAVO	TOGHTENER CORD	EL
183	0646809100	004862	TERMOSTATO DI SICUREZZA	SAFETY THERMOSTAT	EL
184	0211794613	051521	EROGATORE ACQUA	WATER DISTRIBUTOR	EL
185	0639810200	0C0717	FASCETTA FISSAGGIO CAVO ALIM.	HOSE CLAMP, FIXING CABLE	EL