

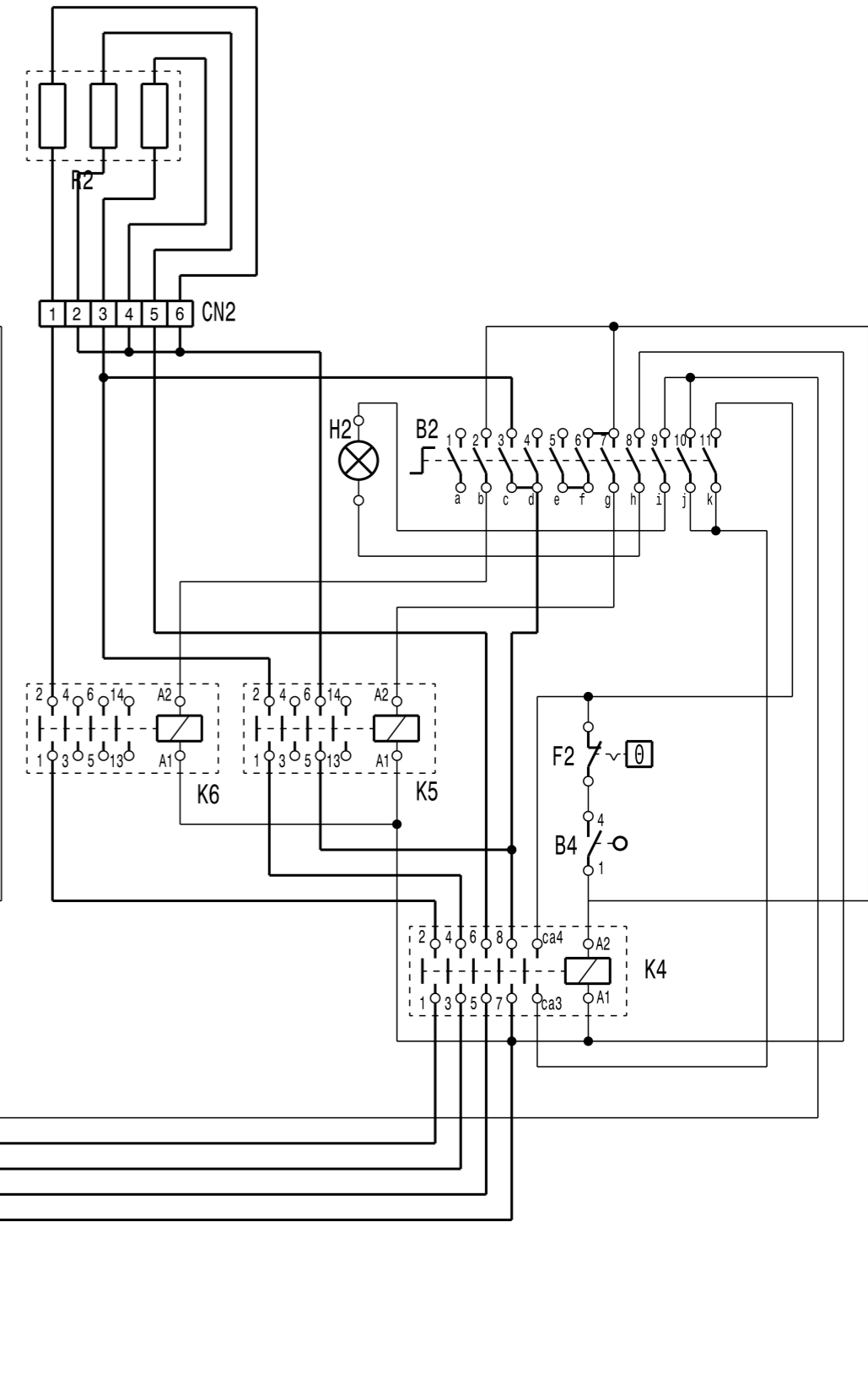
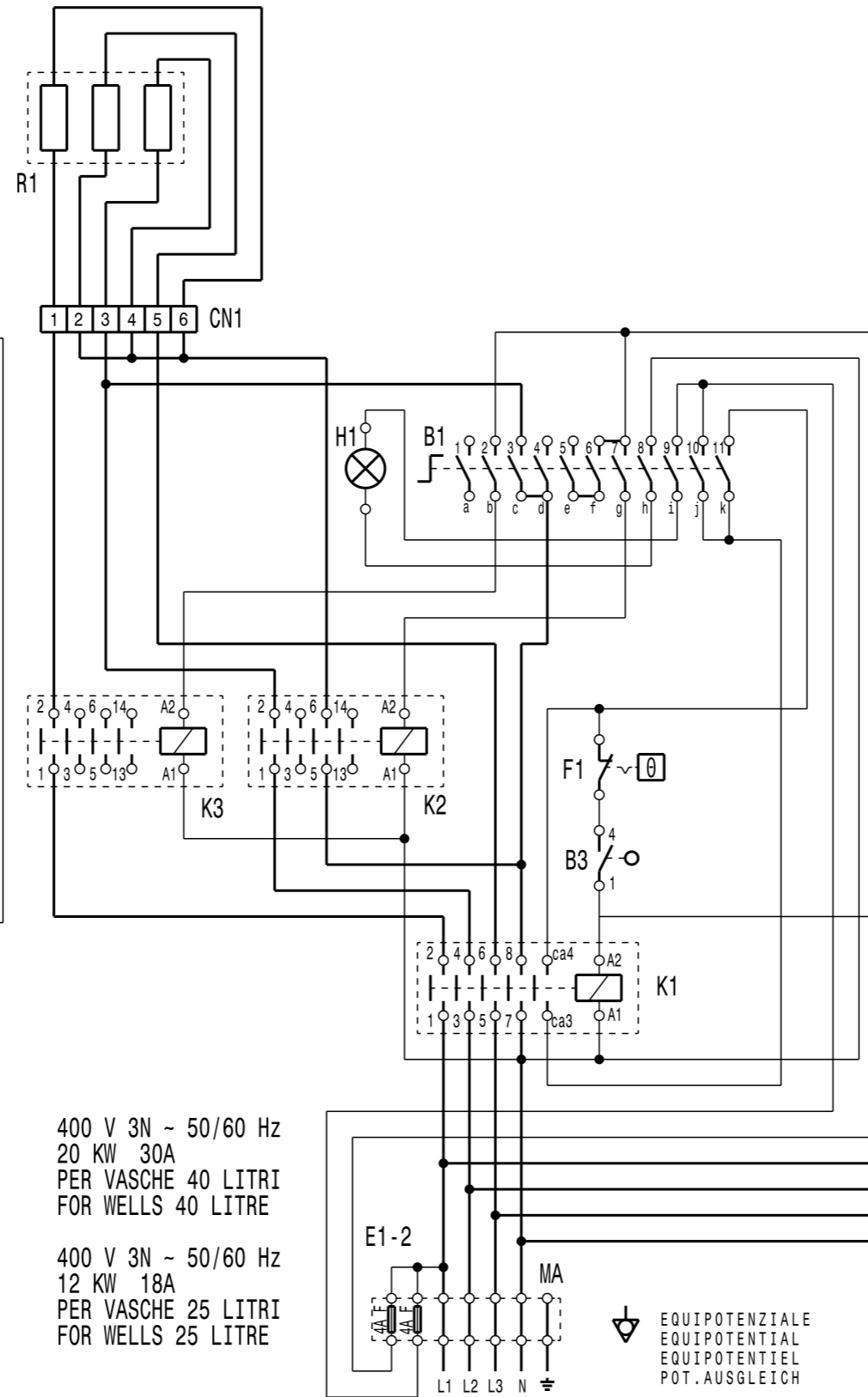
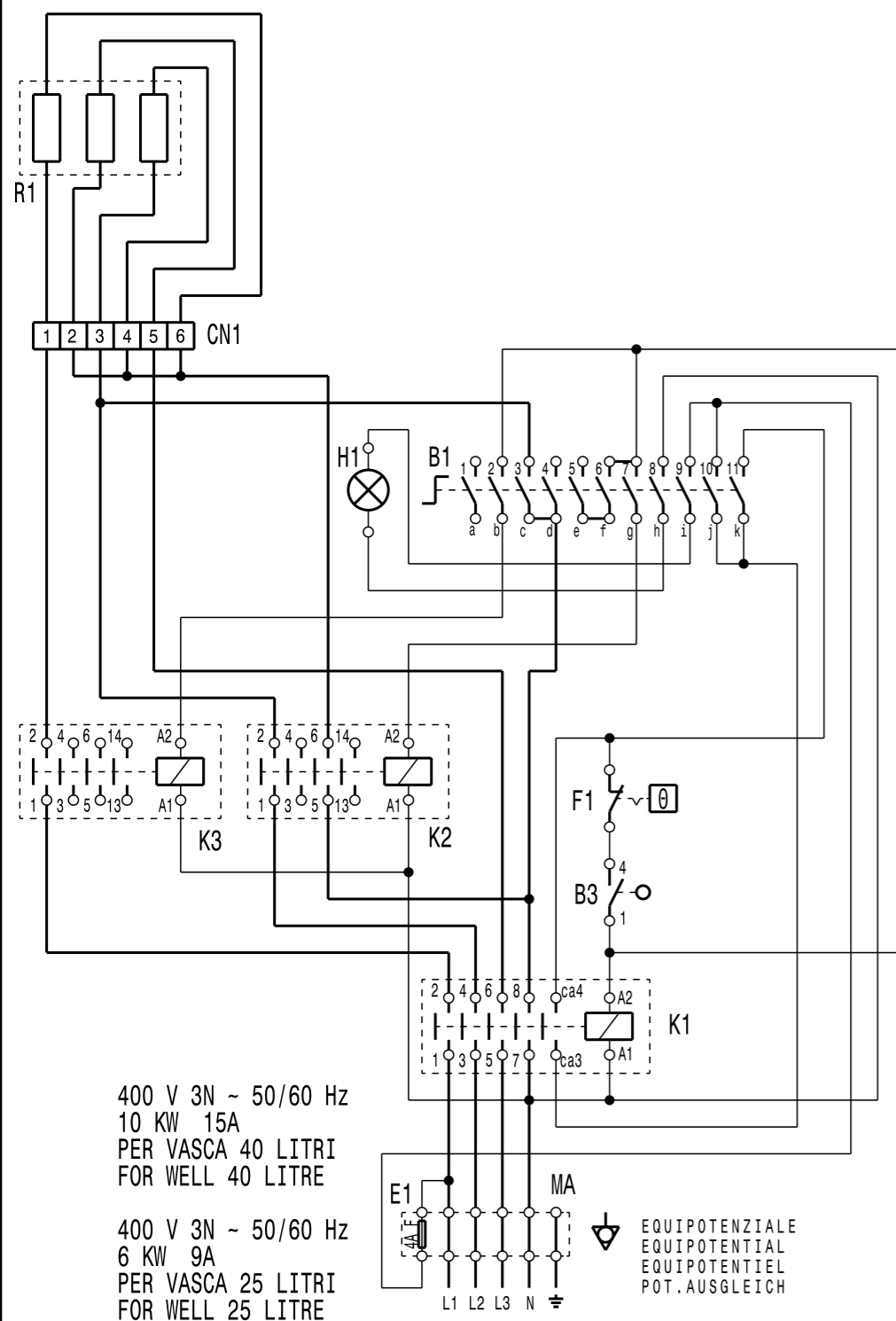
07/2012

Mod: E22/CPA8-N

Production code: 393127



Diamond
catering equipment



B1-2 PER VASCA 40 LITRI / FOR WELL 40 LITRE

POSITION	1	2	3	4	5	6	7	8	9	10	11	POWER (W) (40l)	POWER (W) (25l)
	a	b	c	d	e	f	g	h	i	j	k		
0												0	0
1	●		●			●		●	●			1666	1000
2	●	●		●		●		●	●			5000	3000
3				●	●			●	●	●		6660	4000
4	●	●		●	●			●	●	●		10000	6000

CN1-2	CONNETTORE	CONNECTOR
E1-2	FUSIBILE	FUSE
K1-6	CONTATTORE	CONTACTOR
R1-2	RESISTENZA	HEATING ELEMENT
H1-2	LAMPADA "CORRENTE INSERITA"	POWER ON LAMP
F1-2	LIMITATORE DI TEMPERATURA	TEMPERATURE LIMITING THERMOSTAT
B3-4	MICROINTERRUTTORE	MICROSWITCH
B1-2	COMMUTATORE	ROTARY SWITCH
MA	MORSETTIERA	TERMINAL BOARD