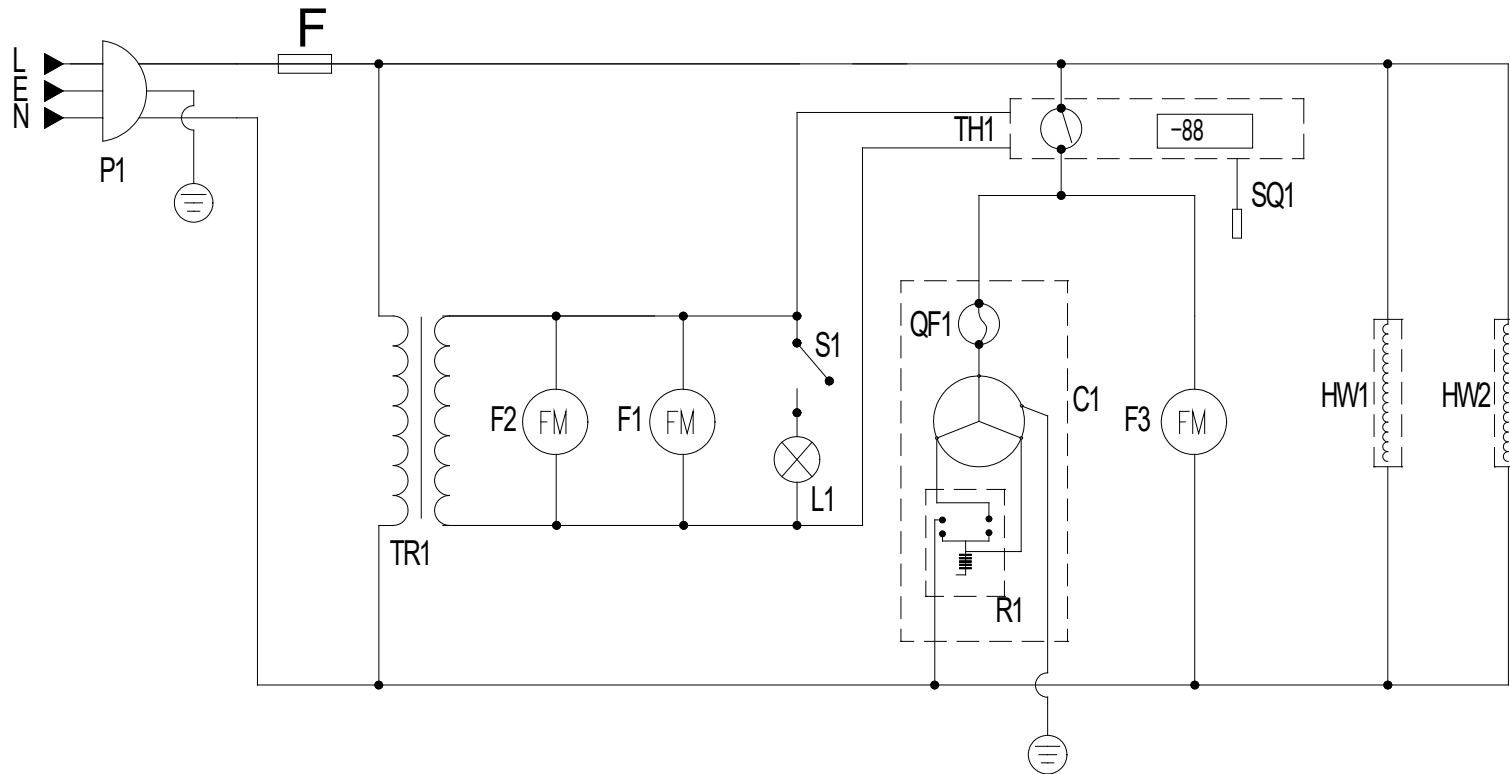




MOD : TAB3/D-N2

Production code : DB301H-3

12/2023



P1 POWER PLUG
 S1 LAMP SWITCH
 TH1 THERMOSTAT
 C1 COMPRESSOR
 QF1 OVERLOAD
 F FUSE
 F1, F2 EVAPORATOR FAN

F3 CONDENSER FAN
 L1 INNER LIGHT
 TR1 TRANSFORMER
 SQ1 TEMPERATURE PROBE
 HW1, HW2 HEATING WIRE
 R1 RELAY